

Linear Pro Kit 22

LN-K-3P-22

Linear Pro Kits provide a modern, slick and stylish appearance. The extrusion based exhibits feature a hook and loop fastener-applied fabric center graphic, UV printed or frosted plex headers and wings, as well as a pillowcase fabric canopy.



features and benefits:

- Custom appearance
- Easy to assemble
- hook and loop fastener-applied fabric center graphic
- Comes with your choice of frosted plex or PVC graphic wings and headers
- Pillowcase C-shaped fabric canopy
- Installation tool included

- Aluminum construction: vertical extrusions 75 mm x 50 mm
- Tabletops available in four color options
- Kit includes two OCH cases, two v-leg tables, and two 50 watt spotlights
- Lifetime hardware warranty against manufacturer defects

dimensions:

Hardware

Graphic

Assembled unit:
120" w x 99.4" h x 30.625" d
3048mm(w) x 2525mm(h) x 778mm(d)

Refer to related graphic template for more information.

Visit:

<https://www.theexhibitorshandbook.com/download-graphic-templates>

Shipping

Shipping dimensions - ships in two cases
OCH case:
50" l x 26" h x 12" d
1270mm(l) x 660mm(h) x 305mm(d)

Approximate shipping weight (entire kit):
175 lbs / 80 kg

additional information:

Panel materials:
Center graphic: Oxford

Headers & wings:
Single-sided frosted acrylic, or printed PVC

Tabletops (each): max weight:
25 lbs / 12 kg

Tabletop Colors:



silver



black



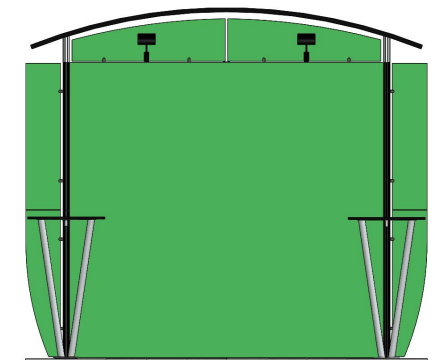
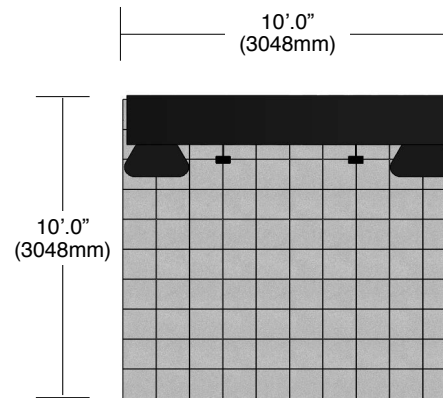
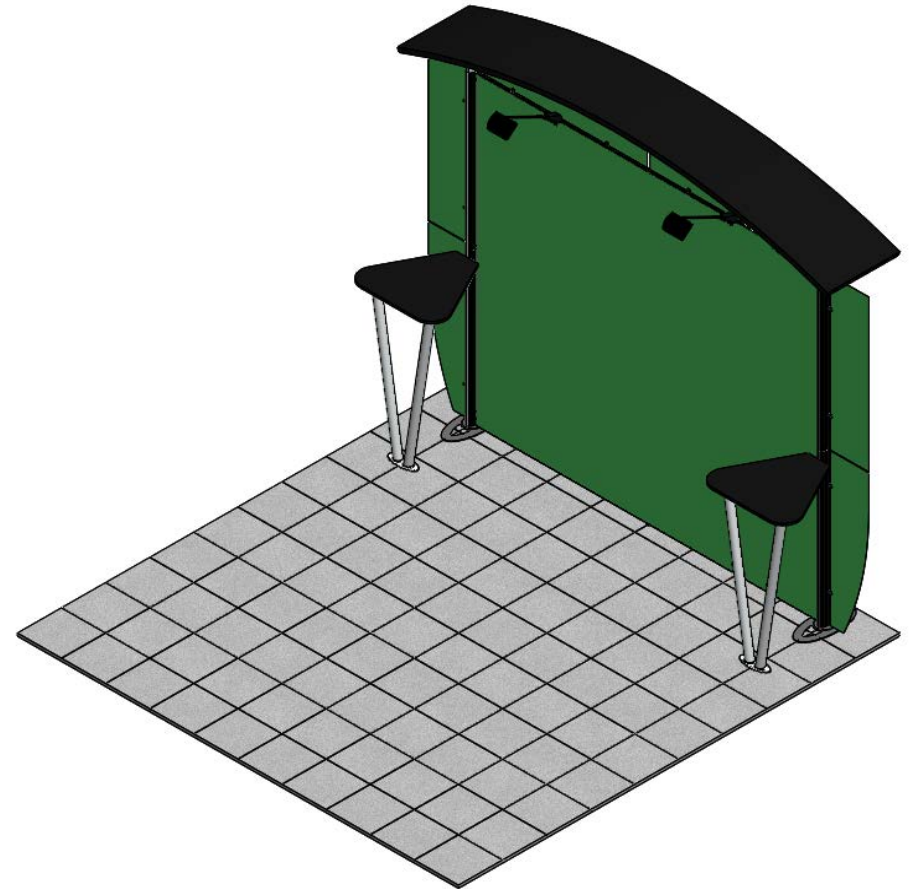
mahogany



natural

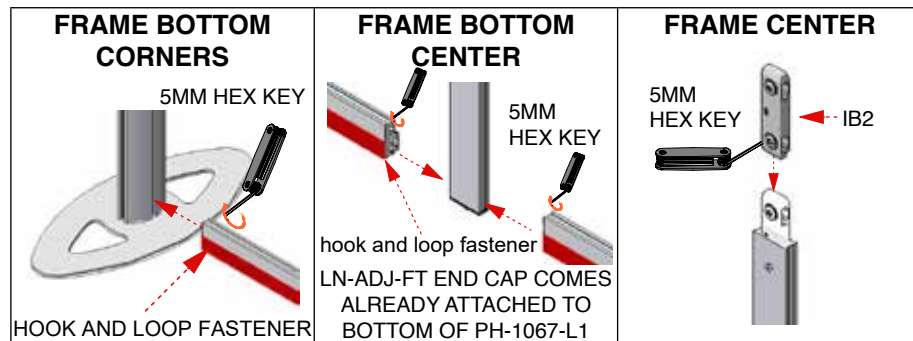
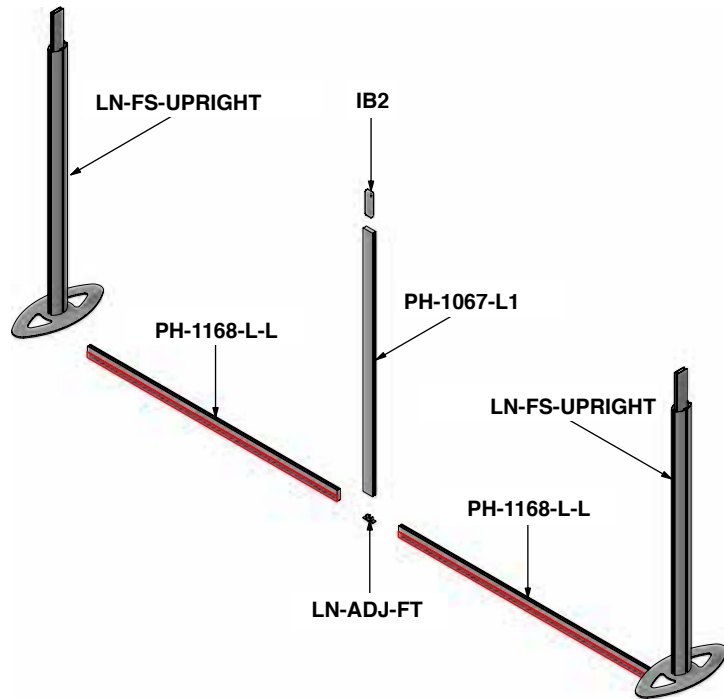
We are continually improving and modifying our product range and reserve the right to vary the specifications without prior notice. All dimensions and weights quoted are approximate and we accept no responsibility for variance. E&OE. See Graphic Templates for graphic bleed specifications.

| Parts Included | | |
|------------------|-----|--|
| Part Label | Qty | Part Description |
| LN-FS-UPRIGHT | x2 | LN-FS-UPRIGHT - LINEAR UPRIGHT WITH FOOT |
| PH-1168-L-L | x4 | 1168MM (46") LENGTH OF PH EXTRUSION WITH CAM LOCK BOTH SIDES |
| PH-1067-L1 | x2 | 1067MM (42") PH LOCK HOLE ONE SIDE |
| LN-ADJ-FT | x1 | LINEAR ADJUSTING FOOT |
| IB2 | x1 | INLINE BRACKET |
| PM3O-1067 | x2 | 1067MM (42") PM3O OPEN ENDS |
| LN605-EN | x1 | PH END CAP |
| WME-1000 | x4 | 1000MM (39.375") WIRE MANAGEMENT EXTRUSION W/ hook and loop fastener |
| LN-10X10-FG | x1 | LINEAR 10X10 FABRIC CENTER GRAPHIC |
| LN-22-HW-A-G | x1 | LINEAR KIT 22 HEADER/WING GRAPHIC A |
| LN-22-HW-B-G | x1 | LINEAR KIT 22 HEADER/WING GRAPHIC B |
| LN-22-HW-C-G | x1 | LINEAR KIT 22 HEADER/WING GRAPHIC C |
| LN-22-HW-D-G | x1 | LINEAR KIT 22 HEADER/WING GRAPHIC D |
| LN-22-HW-E-G | x1 | LINEAR KIT 22 HEADER/WING GRAPHIC E |
| LN-22-HW-F-G | x1 | LINEAR KIT 22 HEADER/WING GRAPHIC F |
| LN-CAN-K-C | x1 | LINEAR CANOPY KIT, C-SHAPE |
| LN-TBL-V-LEG-STD | x2 | LINEAR V-LEG TRIANGLE TABLE TOP *FINISH MAY VARY |
| PANEL CLAMP | x14 | PANEL CLAMP |
| PHFC2-150-L | x2 | 150MM PHFC2 W/ONE LOCK |
| LUM-LED-ORL-7 | x2 | LUMINA LED LIGHT |
| HEX KEY SET | x1 | ALLEN KEY MULTI-TOOL (HEX KEY TOOL) |



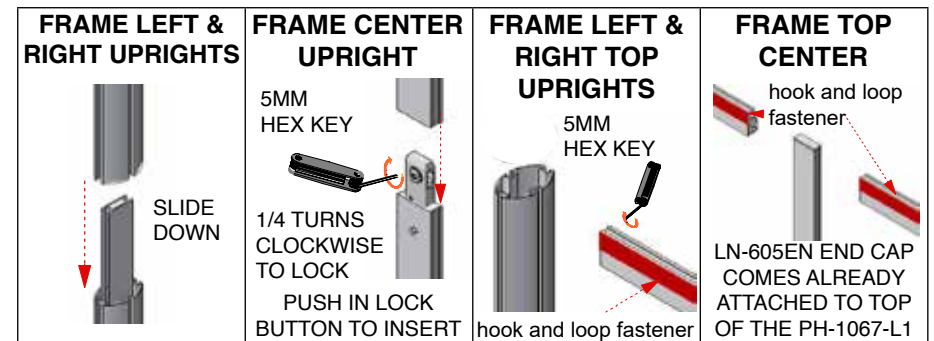
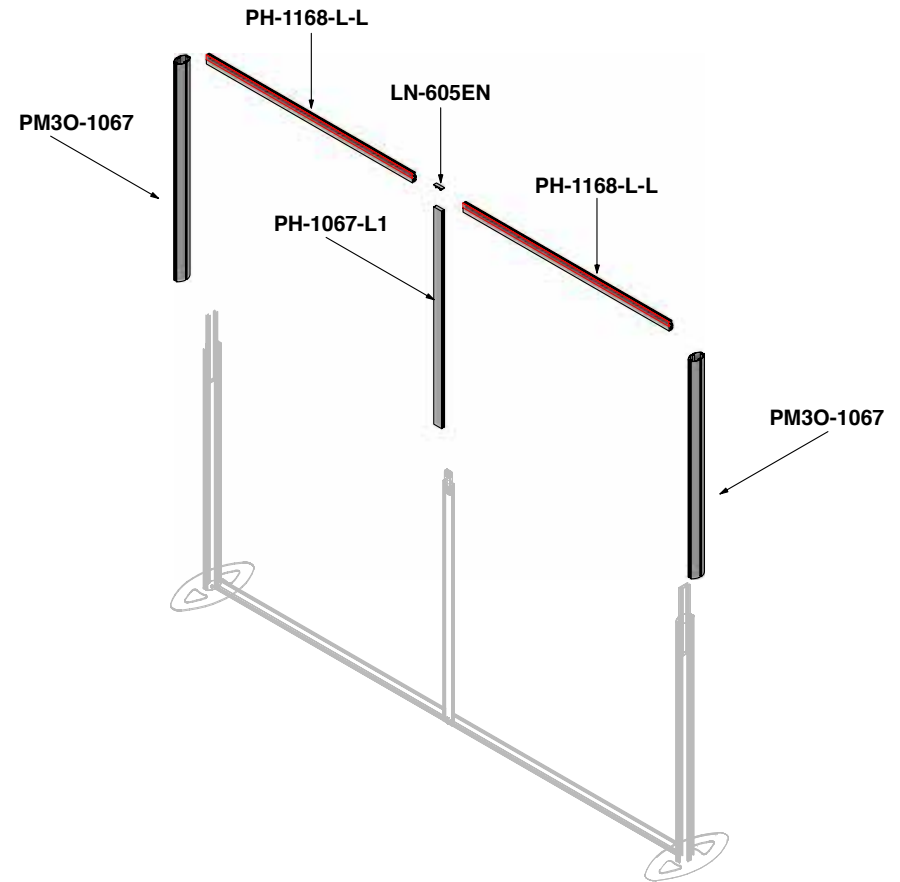
Step 1. Assemble the bottom of the frame

Using the 5MM HEX KEY, attach one PH-1168-L-L to each of the LN-FS-UPRIGHT's with the hook and loop fastener facing front. Attach the opposite ends of the PH-1067-L1 to the PH-1067-L1 using the 5MM HEX KEY. Once all are attached use the 5MM HEX KEY to depress the IB2 lower button and insert into the top of the PH-1067-L1, DO NOT LOCK.



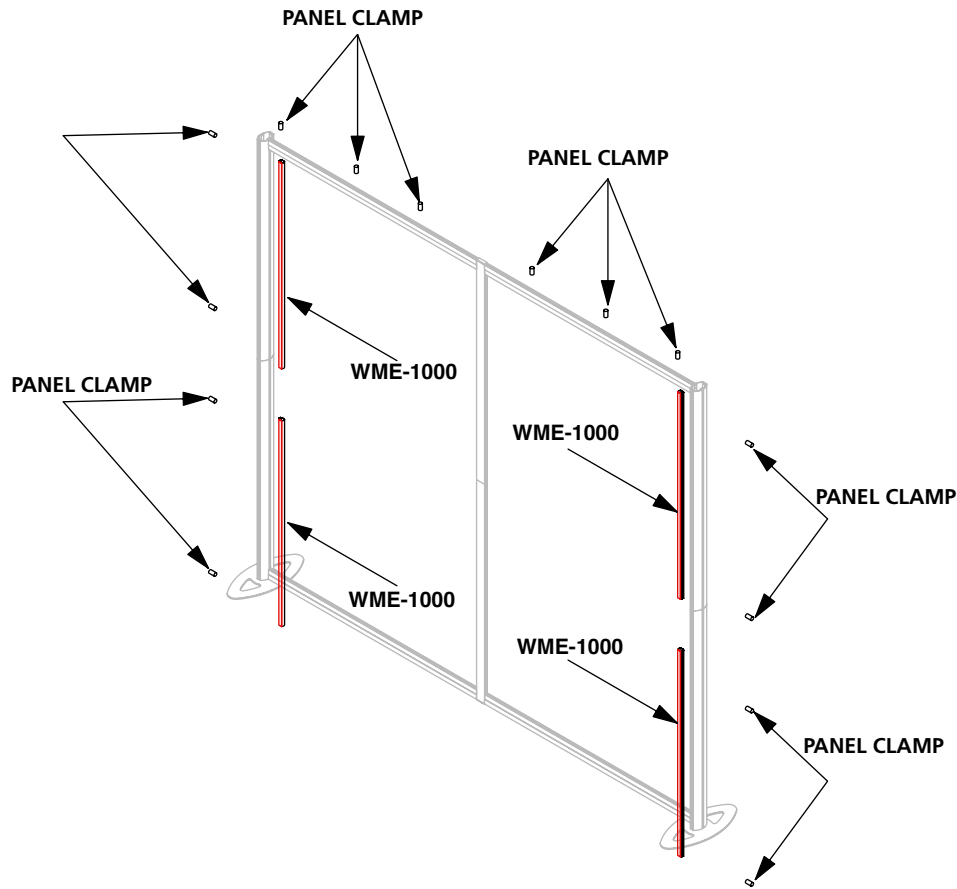
Step 2. Assemble the top of the frame

Make sure the hook and loop fastener is facing towards the front and slide PM30-1067 onto LN-FS-UPRIGHT on the left and right ends of the frame. Push in the lock button to slide and attach the PH-1067-L1 to the IB2, then lock both buttons. Attach PH-1168-L-Ls to the PM30-1067s and PH-1067-L1 using the 5MM HEX KEY.

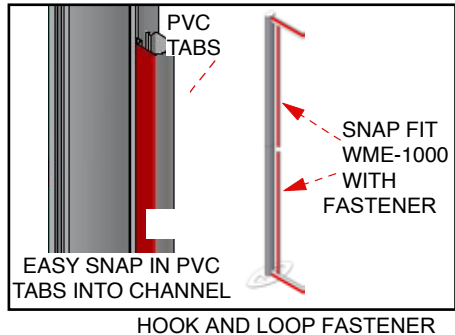


Step 3. Attach graphic support & adhere PANEL CLAMP for graphic headers/wings

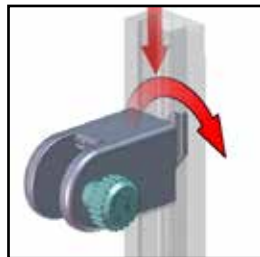
Snap attach the WME-1000 (graphic support) onto the frame inside the left and right uprights. Make sure the hook and loop fastener is facing towards the front. Insert 14 PANEL CLAMPS into the outside perimeter channels and turn to lock, other locking screws should be loose. Evenly space out the standoffs for each header.



PVC EXTRUSION PVC EXTRUSION

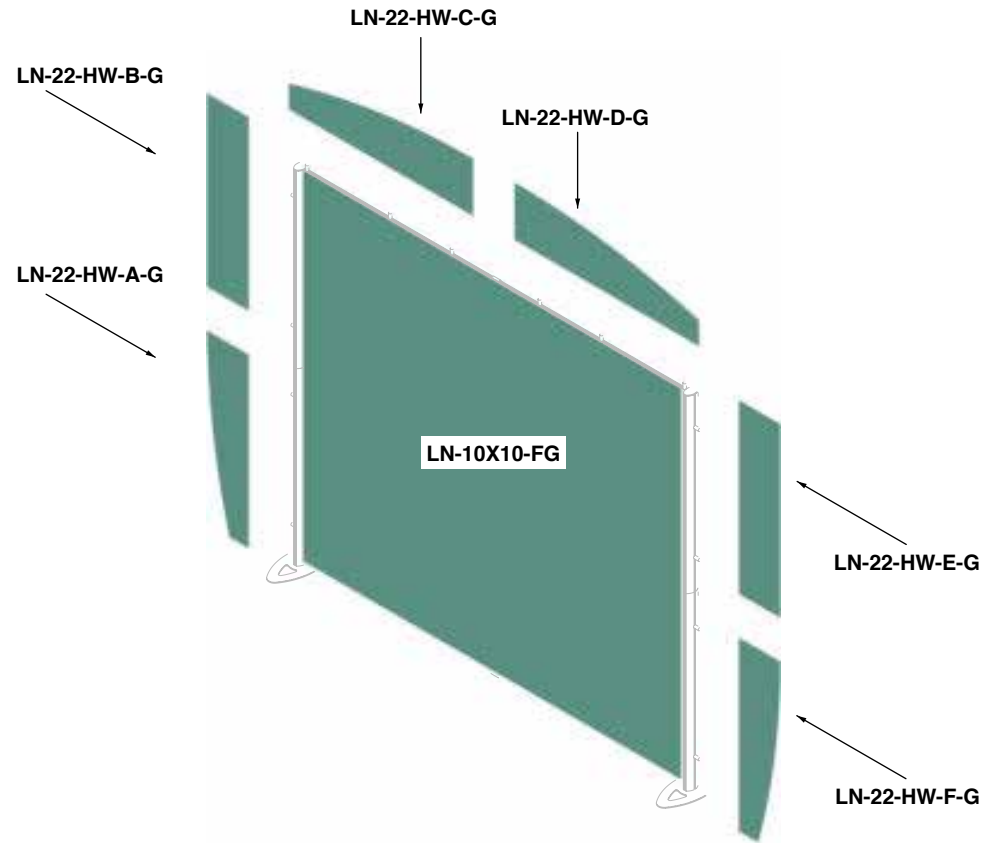


PANEL CLAMP ATTACHMENT



Step 4. Attach graphic headers/wings and center graphic

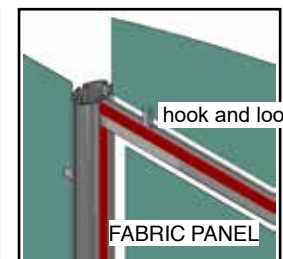
Screw the PANEL CLAMP clockwise into channel until it is tight. Loosen the THUMBSCREW, place rigid sintra panel graphic and tighten in place. hook and loop fastener attach the LN-10X10-FG (center graphic) to the frame starting at the top left corner. Continue to hook and loop fastener attach the LN-10X10-FG to the frame ending in the bottom right corner.



HEADER/WING ATTACHMENT

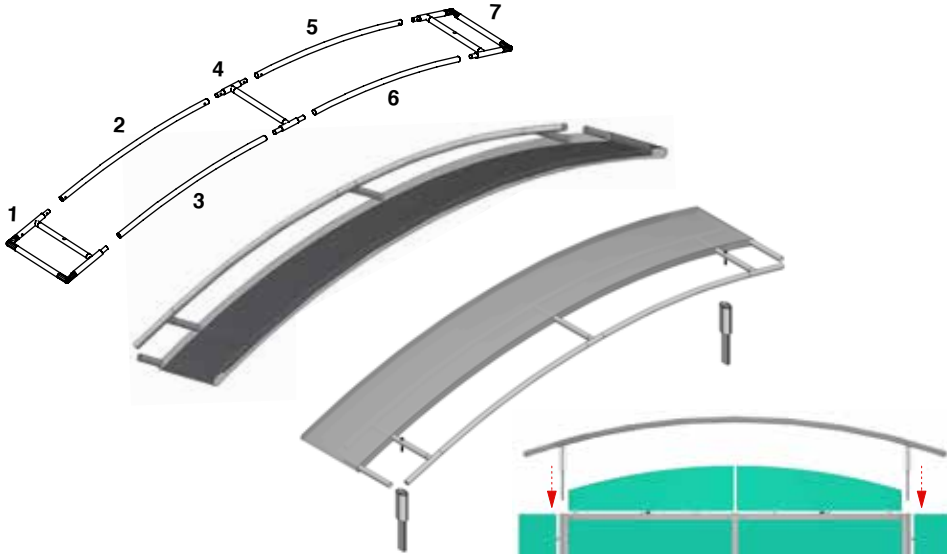


FABRIC PANEL TOP LEFT



Step 5. Attach c-shaped canopy

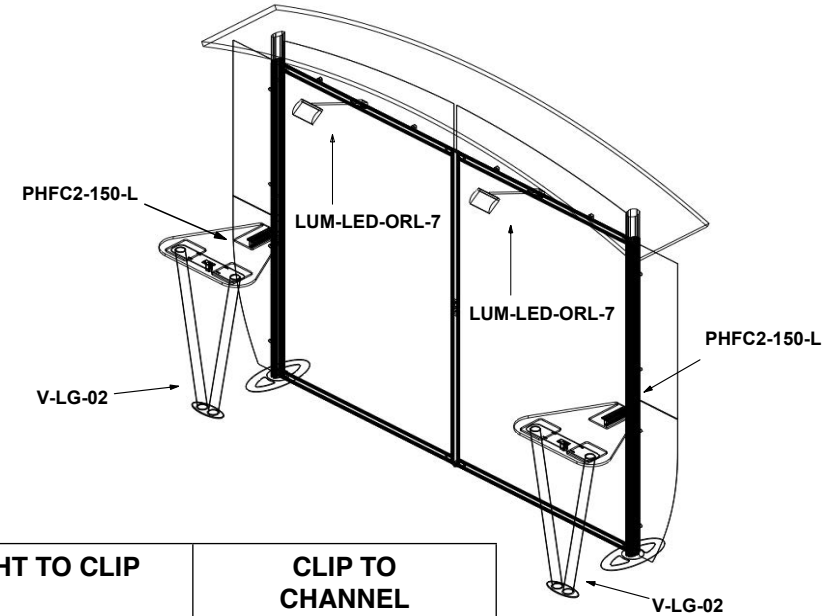
Assemble the frame in order using the number key to attach the tubes and hubs. Pull over the pillowcase and insert the screws through frame parts 1, 7, and the pillowcase slots. Loosely fasten canopy post mounts to screws, DO NOT ZIPPER. Last, slide the post mounts onto the frame and tighten using the 8MM HEX KEY, then zipper the pillowcase.



| | | |
|--|--|--|
| <p>C-CANOPY FRAME</p> <p>PUSH PINS TO ASSEMBLE THE FRAME</p> | <p>C-CANOPY PILLOW CASE & SCREW</p> <p>PILLOW CASE SCREWS SLOTS</p> | |
| <p>C-CANOPY SCREW & SHORT POST</p> <p>SHORT POST</p> <p>LOOSELY FASTEN CANOPY POST MOUNTS TO SCREWS</p> | <p>C-CANOPY POST TO BACKWALL</p> <p>SLIDE IN POST MOUNTS ONTO FRAME</p> | <p>C-CANOPY POST TO BACKWALL</p> <p>TIGHTEN SCREWS WITH 8MM HEX KEY THEN ZIPPER PILLOW CASE</p> |

Step 6. Assemble lights & tables & attach to backwall

Slide the light fixture LUM-LED-ORL-7 onto the light clip. Lift and rest light clip onto top of horizontal channel and run the wires in between and behind the panels. Slide the PHFC2-150-L into the underside of the table. Fasten the table legs to the underside of the table top using the THUMB SCREWS. Once finished turn table over and attach it to the backwall frame (LN-FS-UPRIGHT) using the 5MM HEX KEY on the PHFC2-150-L. Repeat for the second table.

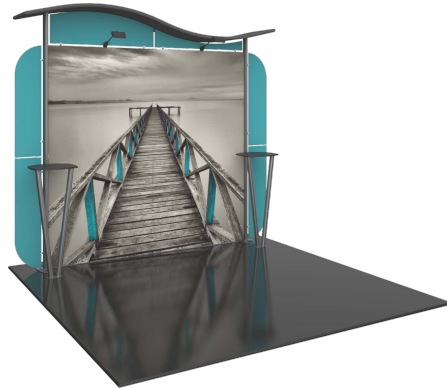


| | | |
|--|--|---|
| <p>LIGHT TO CLIP</p> | <p>CLIP TO CHANNEL</p> | |
| <p>TABLE TOP</p> <p>PHFC2-150-L</p> <p>ATTACH PH END CAP TO PHFC2-150-L</p> | <p>TABLE LEG</p> <p>APPLY V-LEG ONTO UNDERSIDE OF TABLE WITH THUMB SCREWS</p> | <p>TABLE SETUP</p> <p>LN-FS-UPRIGHT</p> <p>5MM HEX KEY</p> |

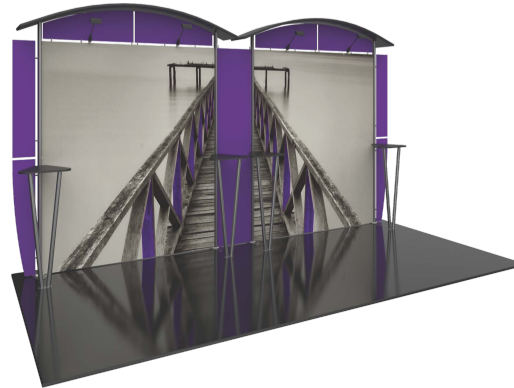
Check out these related products:



Linear Pro Kit 22



Linear Pro Kit 25



Linear Pro Kit 26



Linear Pro Kit 27
