

Formulate Lite

FMLT-LT-01

Looking for a sharp, simple, portable fabric backwall that sets up in 5 minutes? Look no further. The Formulate Lite 8ft by 10ft fabric back drop is one of the easiest and most portable solutions you can find. In addition to the standard landscape/horizontal configuration, Formulate Lite can be turned on its side to create a portrait/vertical wall as well. The sturdy, lightweight 30mm aluminum frame assembles with push-button functionality. Simply stretch the graphic over the corners of the frame and you're done. You have an instant, impressive fabric backwall!



shown with optional upgraded OCB case



can convert into portrait

We are continually improving and modifying our product range and reserve the right to vary the specifications without prior notice. All dimensions and weights quoted are approximate and we accept no responsibility for variance. E&OE. See Graphic Templates for graphic bleed specifications.

features and benefits:

- State-of-the-art 30mm aluminum tube frame with snap button assembly
- Takes less than 5 minutes to set up
- Easy to store and ship
- Configures to portrait or landscape
- Kit includes: one frame, one dye-sublimated stretch fabric graphic and carry bag
- OCB storage carry case available as optional upgrade
- Lifetime hardware warranty against manufacturer defects

dimensions:

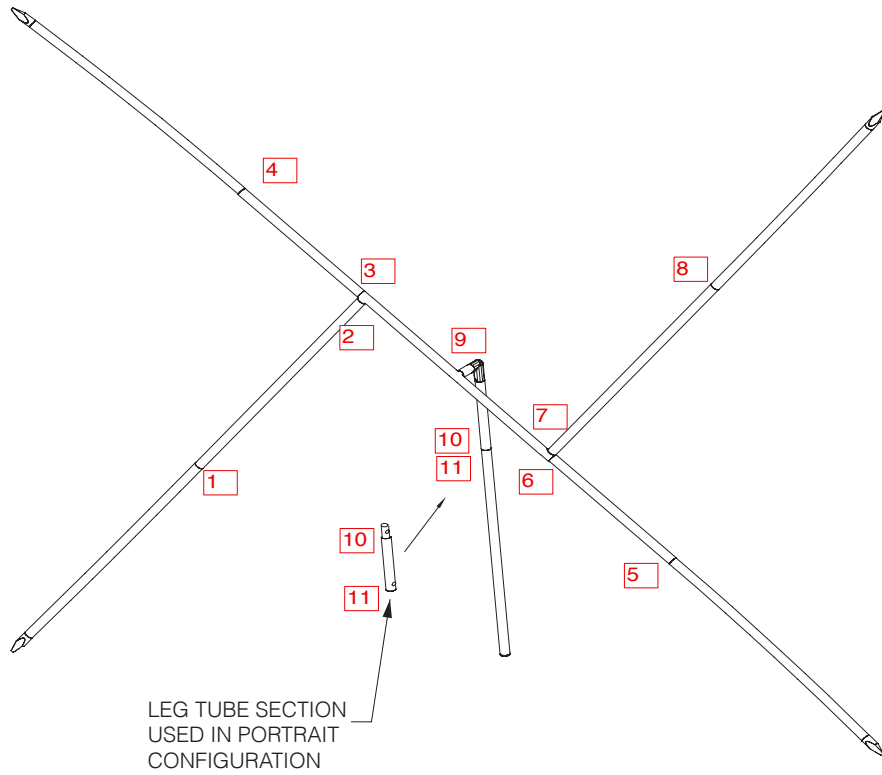
Hardware	Graphic
<p>Assembled unit: Landscape: 114" w x 92" h x 18.3" d 2896mm(w) x 2337mm(h) x 465mm(d)</p> <p>Portrait: 92" w x 114" h x 20" d 2337mm(w) x 2896mm(h) x 508mm(d)</p> <p>Approximate Kit Weight: 15 lbs/7 kg</p>	<p>Total Visible Area: Landscape: 114" w x 92" h 2896mm(w) x 2337mm(h)</p> <p>Portrait: 92" w x 114" h 2337mm(w) x 2896mm(h)</p> <p>Refer to related graphic template for more information.</p>
<p>Shipping</p> <p>Shipping Dimensions: ships in one box 39" w x 6" h x 12" d 991mm(w) x 152.4mm(h) x 305mm(d)</p> <p>Approximate Shipping Weight: (kit) No box : 16 lbs/7 kg</p>	<p>Visit: www.exhibitors-handbook.com/graphic-templates</p>

additional information:

Graphic Material:
Dye-sublimated stretch fabric

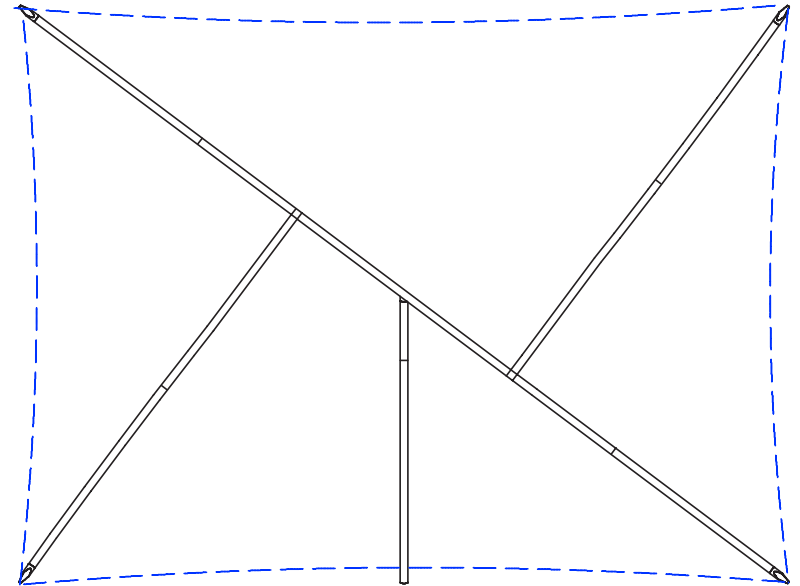
Assembly for Landscape Configuration

Assemble unit by laying tubes flat on the floor. Connect the tube rails by pressing the push pin buttons in and slide over (see detailed drawing below) following the number labels listed, 1 to 1, 2 to 2 and so on.



Graphic Attachment for Landscape Configuration

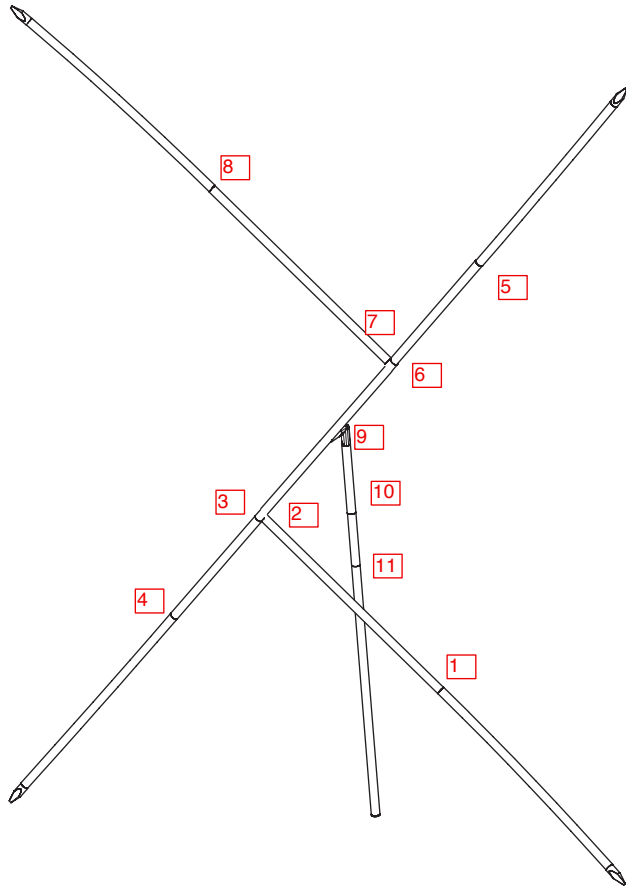
Carefully remove the fabric graphic from the protective bag. Place graphic around the bottom of the frame by hooking the bottom fabric pockets around the corner connectors. Pull cover carefully up to the top and hook the top fabric pockets around the corner connectors.



<p>TUBE CONNECTION</p> <p>CONNECT TUBE BY MATCHING NUMBER TO NUMBER, PRESSING PUSH PIN BUTTON AND SLIDE OVER</p>	<p>BOTTOM GRAPHIC ATTACHMENT</p> <p>WRAP GRAPHIC AROUND BOTTOM OF FRAME</p>	<p>TOP GRAPHIC ATTACHMENT</p> <p>WRAP GRAPHIC AROUND TOP OF FRAME</p>	<p>GROMMET GRAPHIC ATTACHMENT (OPTIONAL)</p> <p>PULL THE FABRIC GRAPHIC TIGHT AND CONNECT GROMMET TO THUMB SCREW</p>
---	--	--	---

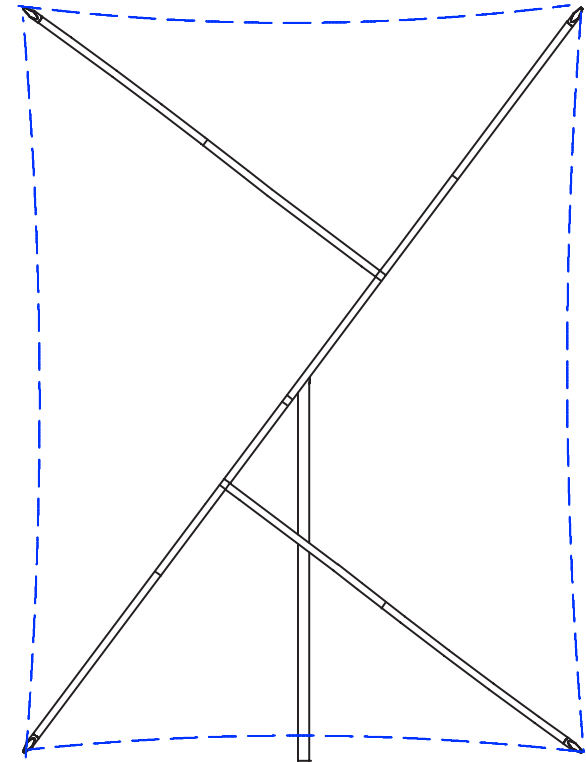
Assembly for Portrait Configuration

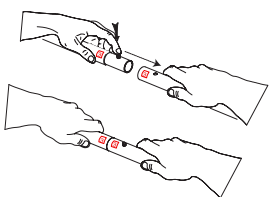
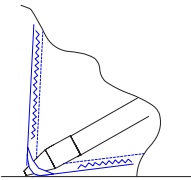
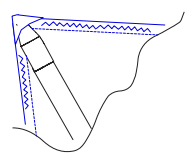
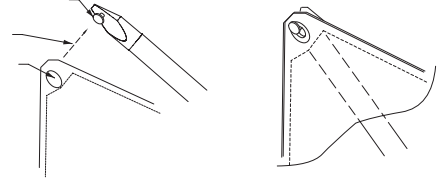
Assemble unit by laying tubes flat on the floor. Connect the tube rails by pressing the push pin buttons in and slide over (see detailed drawing below) following the number labels listed, 1 to 1, 2 to 2 and so on.



Graphic Attachment for Portrait Configuration

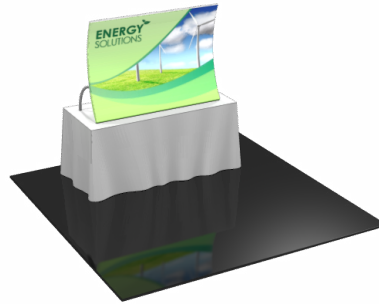
Carefully remove the fabric graphic from the protective bag. Place graphic around the bottom of the frame by hooking the bottom fabric pockets around the corner connectors. Pull cover carefully up to the top and hook the top fabric pockets around the corner connectors.



<p>TUBE CONNECTION</p>  <p>CONNECT TUBE BY MATCHING NUMBER TO NUMBER, PRESSING PUSH PIN BUTTON AND SLIDE OVER</p>	<p>BOTTOM GRAPHIC ATTACHMENT</p>  <p>WRAP GRAPHIC AROUND BOTTOM OF FRAME</p>	<p>TOP GRAPHIC ATTACHMENT</p>  <p>WRAP GRAPHIC AROUND TOP OF FRAME</p>	<p>GROMMET GRAPHIC ATTACHMENT (OPTIONAL)</p>  <p>PULL THE FABRIC GRAPHIC TIGHT AND CONNECT GROMMET TO THUMB SCREW</p>
---	--	--	---

Check out these related products:

The Formulate line is a collection of stylish, ergonomically designed tabletop, 8ft, 10ft, 20ft exhibits, hanging structures, and display accessories. Formulate combines state-of-the-art zipper pillowcase dye-sublimated fabric coverings with a premium lightweight aluminum structure. Formulate is efficient, easy to assemble and disassemble, and offers remarkable style options and choices.



Formulate Tabletops



Formulate 8ft Kits



Formulate 10ft Kits
(Horizontal Curve)



Formulate 10ft Kits
(Vertical Curve)



Formulate 10ft Kits
(Straight)



Formulate 20ft Kits



Formulate Hanging Structures