

Hybrid Pro 20x20 Modular Island Kit 26

HP-K-26

Hybrid Pro™ Modular Kit 26 features a heavy-duty aluminum extrusion center frame that supports a 12ft wide by 3ft high square-shaped fabric structure. The top fabric structure is a tube structure with pillowcase fabric graphics. In the center of the display is a storage closet, this modular exhibit incorporates four back-to-back displays designed to provide an areas for semi-private demonstrations. The four display sections include medium monitor mounts for multimedia and counters for reception and storage.



features and benefits:

- 12'6" tall island display
- No rigging required
- Features 12'w x 3'h square fabric structure up high to draw visitors to the booth
- Four sections / floor-based displays feature push-fit fabric graphics, medium monitor

- Four counters near backwalls offer storage space and a shelf
 - Center closet offers lockable storage
 - Ships freight
 - Medium monitor bracket on center wall holds 32-55" LCD*, max weight: 50 lbs
- *Monitors, flooring and foreground counters not included

dimensions:

Hardware

Assembled unit:
146.22" w x 143.41" h x 168" d
3714mm(w) x 3643mm(h) x 4268mm(d)

Approximate weight:
1672 lbs / 759 kg

Graphic

Refer to related graphic template for more information.

Visit:
<https://www.theexhibitorshandbook.com/download-graphic-templates>

Shipping

Packing case(s):
1 NCRATE
4 OCH2

Shipping dimensions:
NCRATE
60" l x 57" h x 48" d
1524mm(l) x 1448mm(h) x 1220mm(d)

OCH2:
52" l x 29" h x 15" d
1321mm(l) x 737mm(h) x 381mm(d)

Approximate total shipping weight:
2017 lbs / 759 kg

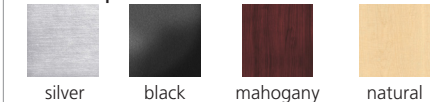
additional information:

Graphic material:

Dye-sublimation SEG push-fit fabric

When included in a larger kit, a different packaging solution will be listed to accommodate all contents of the kit. Individual packaging no longer provided.

Tabletop Colors:



3 person assembly recommended:

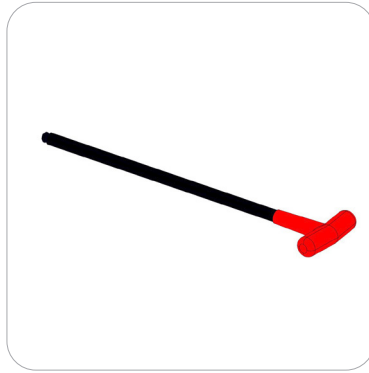


This product may include the following materials for recycle:
aluminum, select wood, fabric, cardboard, paper, steel, and plastics.

We are continually improving and modifying our product range and reserve the right to vary the specifications without prior notice. All dimensions and weights quoted are approximate and we accept no responsibility for variance. E&OE. See Graphic Templates for graphic bleed specifications.

Included In Your Kit

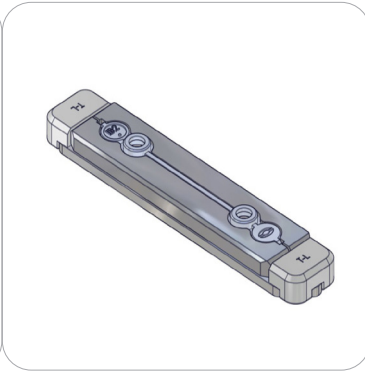
Tools, Components, & Connectors



5MM ALLAN T x1



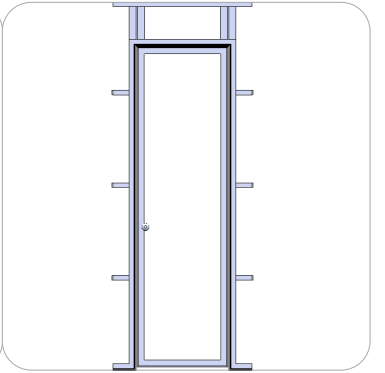
CB9 x16



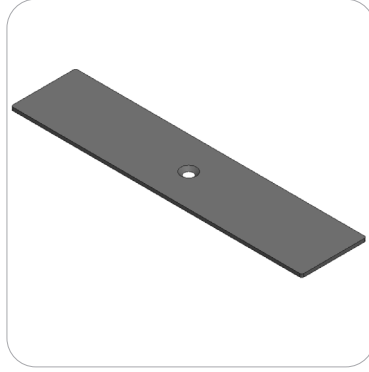
IB2 x8



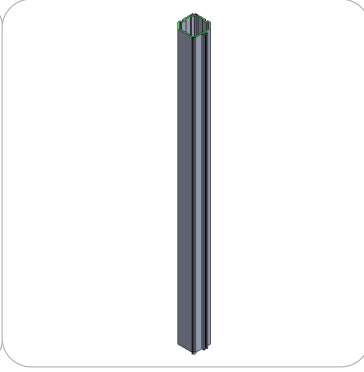
CBE-50 x12



VF-FCDOOR-900-LEFT x1



PLT-BP-LN114-S2-450 x4



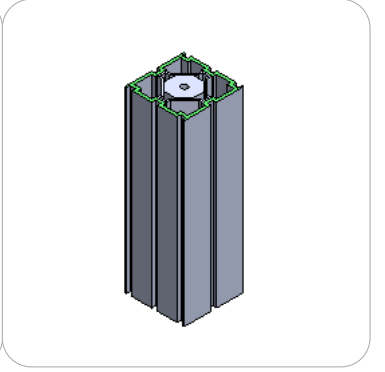
PMFC4-90-1193-A315 x8



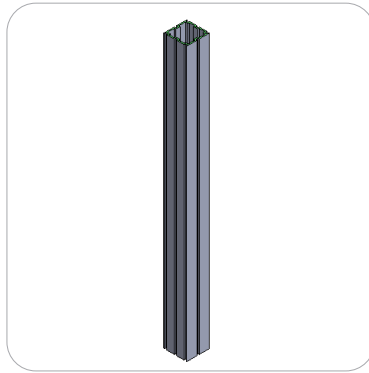
PHFC4-900-L-L x6



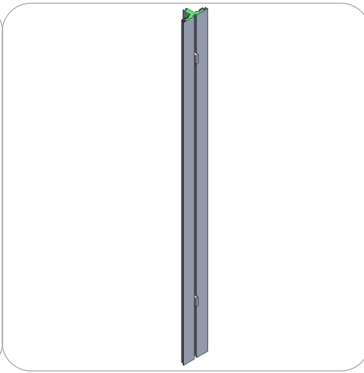
PHFC4-1200-MCB9-MCB9 x8



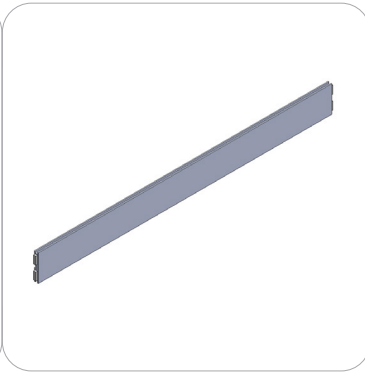
PM4S2-300-A315-N x4



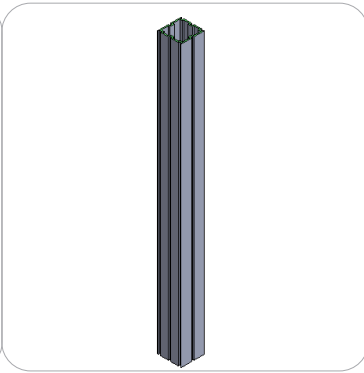
PM4S2-1200-A315-A315 x4



PHFC4-1200-L1-MCB9-SIDE x16



PS2-1110-L-L x4



PM4S2-1200-A315-N x4

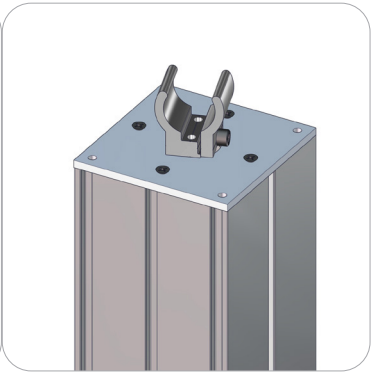
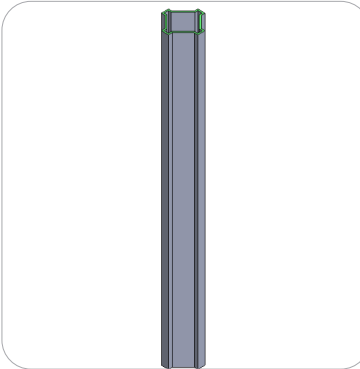


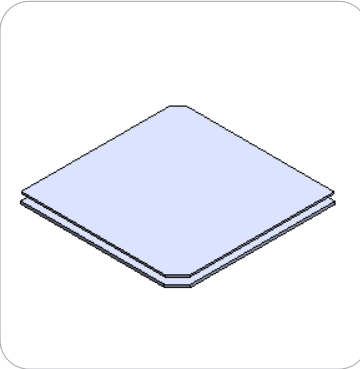
PLATE-HP-K-26 x4

Included In Your Kit

Tools, Components, & Connectors



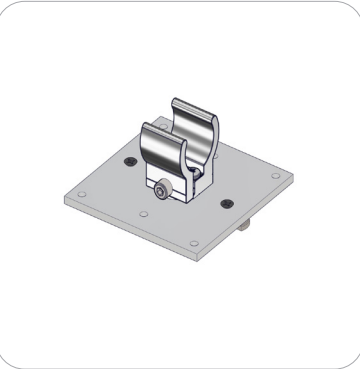
PM4DSC-600 x12



PMFC4-90-CAP x8



PE-1193 x8



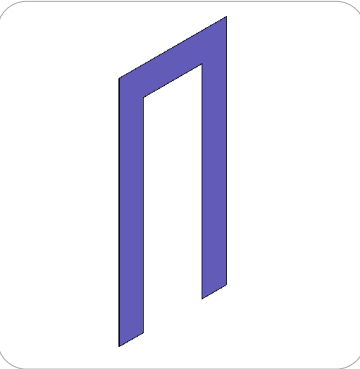
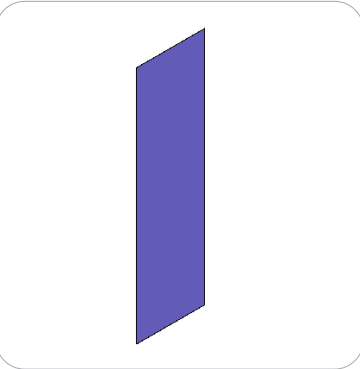







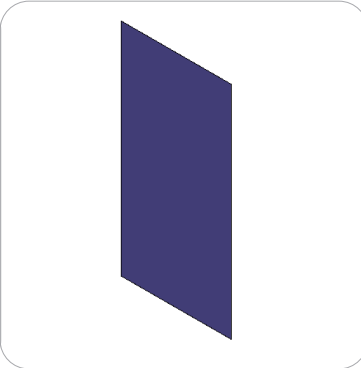

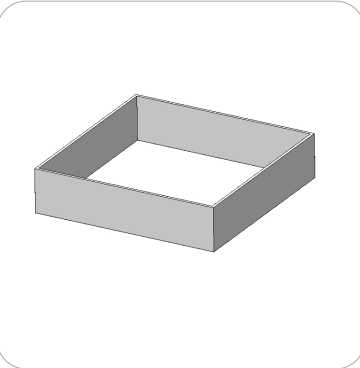
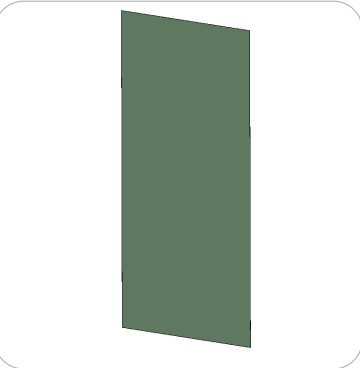


TC-30MM-SILVER x4



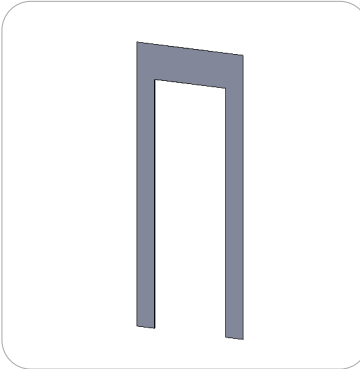
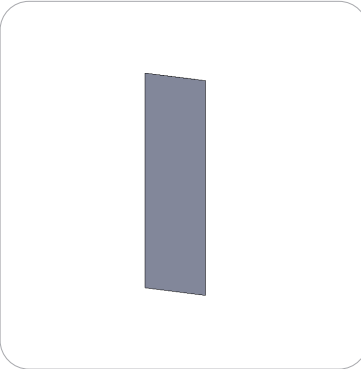
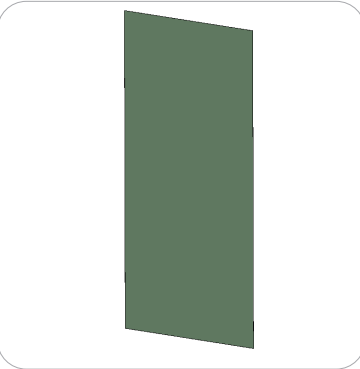
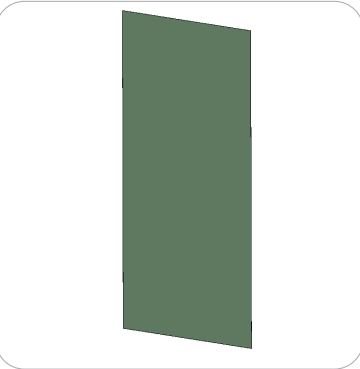
EXT-M-MB x4

Included In Your Kit

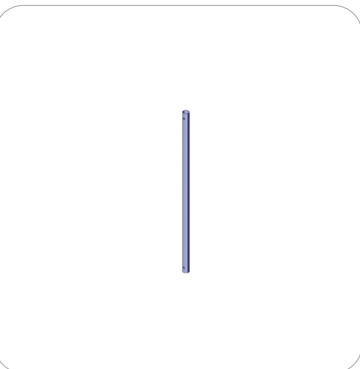
Graphics					
	HP-26-A1-G x1	HP-26-A4-G x1	HP-26-A2-G x1	HP-26-A3-G x1	HP-26-B1-G x1
					
	HP-26-B2-G x1	HP-26-B3-G x1	HP-26-C1-G x1	HP-26-C2-G x1	HP-26-C3-G x1
					
	HP-26-D1-G x1	HP-26-D2-G x1	HP-26-D3-G x1	HP-26-E-G x1	HP-26-F-G x1

Included In Your Kit

Graphics

			
HP-26-G-G x1	HP-26-H-G x1	HP-26-I-G x1	HP-26-J-G x1

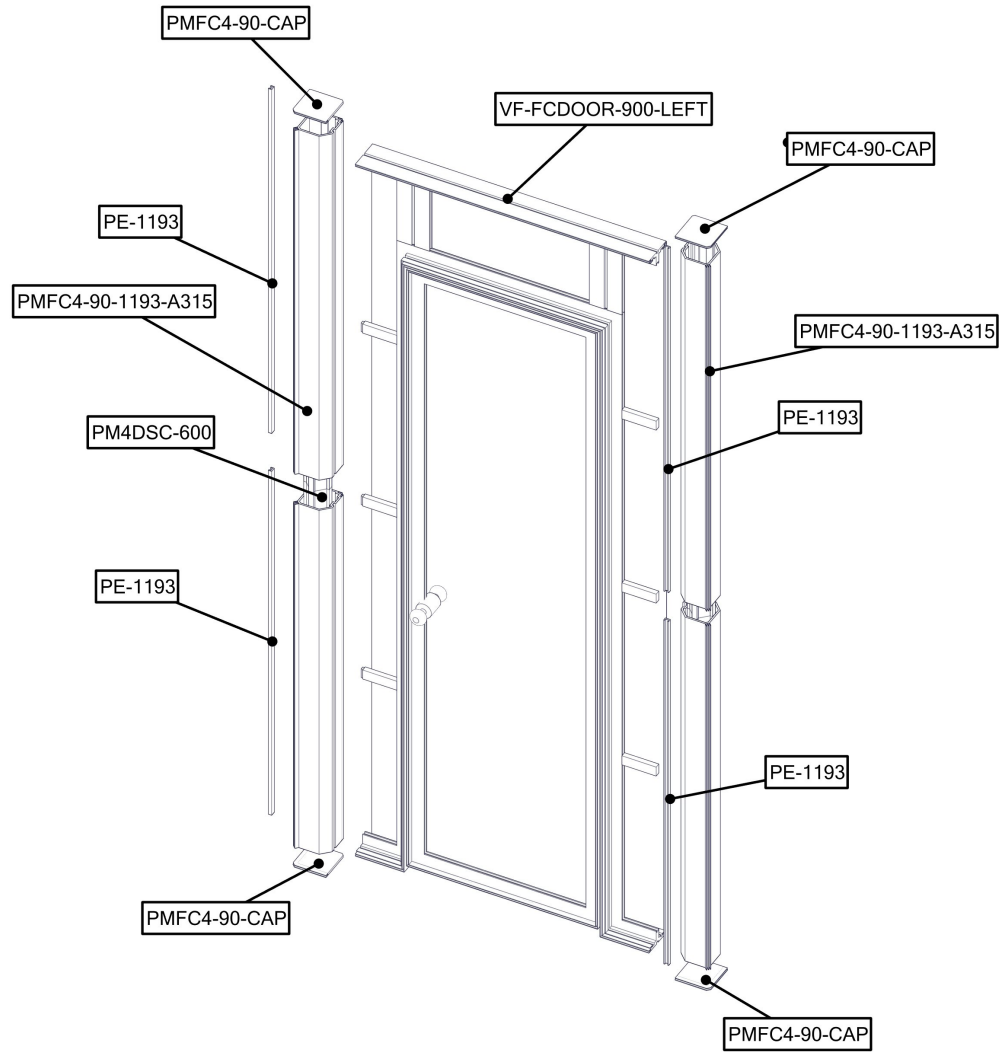
Tubes

				
HP-K-26-SQU-T1 x16	HP-K-26-SQU-T2 x8	HP-K-26-SQU-T3 x4	HP-26-A3-G x1	ES50-3W x8

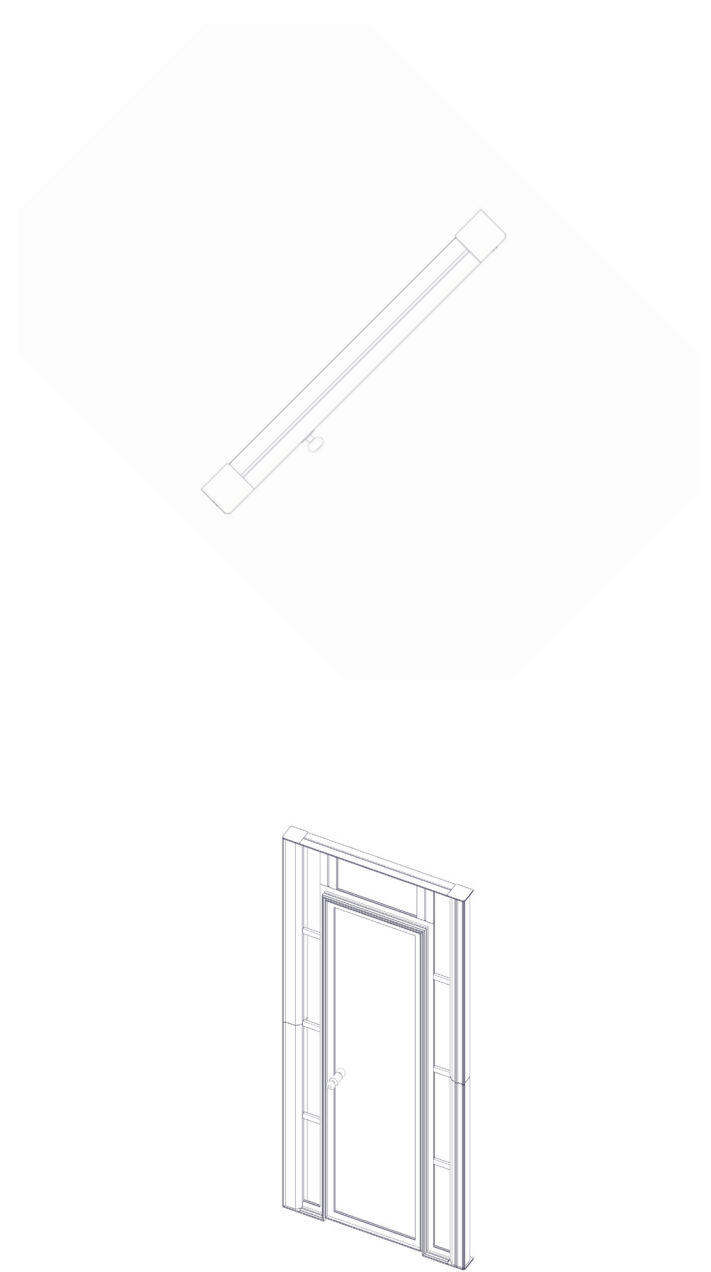

ES50 x16

Exploded Diagram

HP-K-26

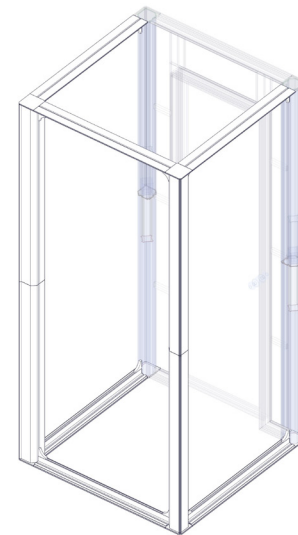
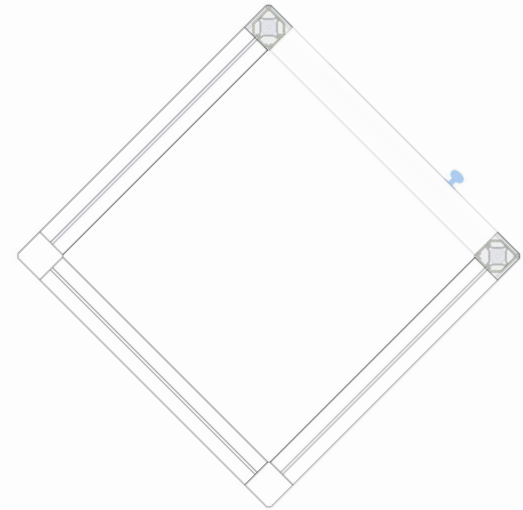
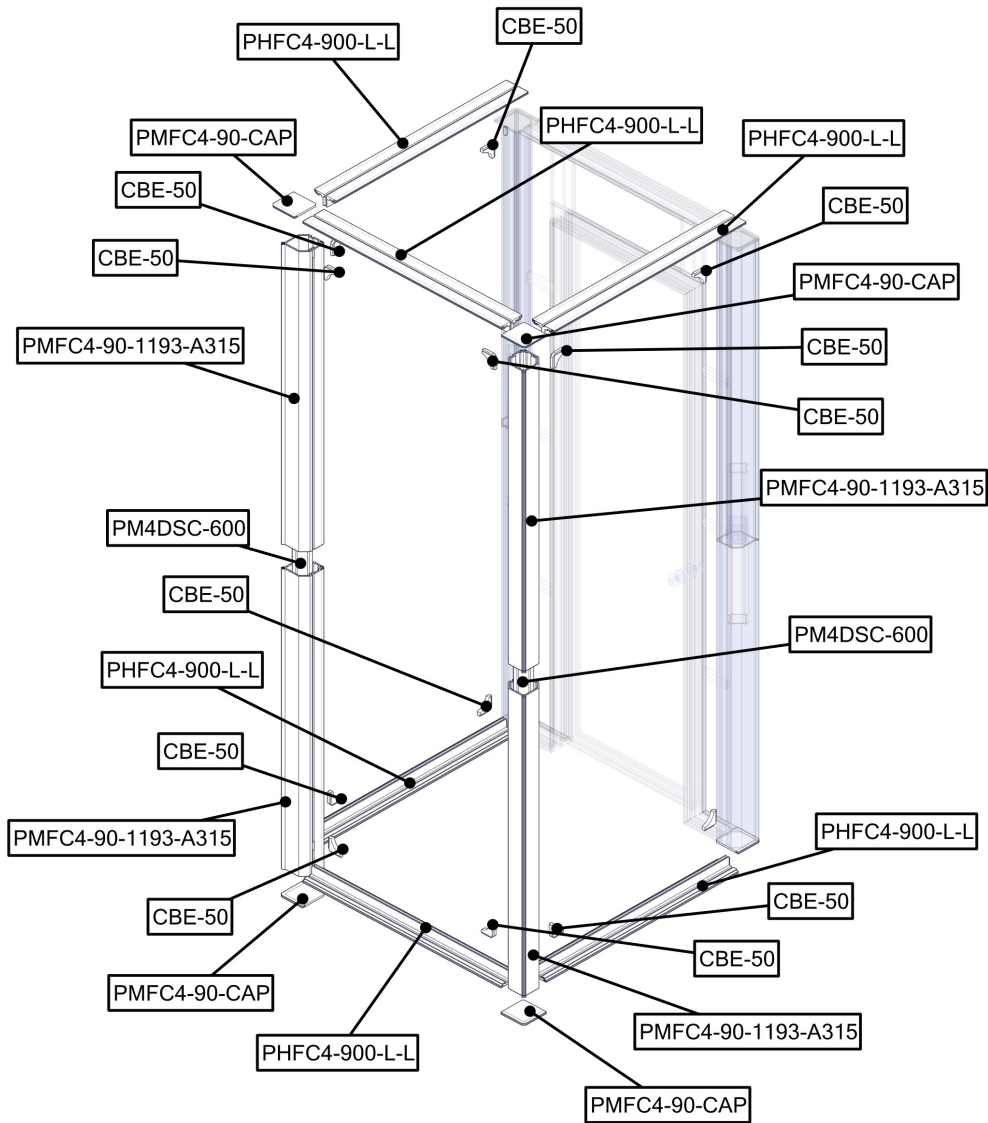


-ASSEMBLE VF-FCDOOR-900-LEFT



Exploded Diagram

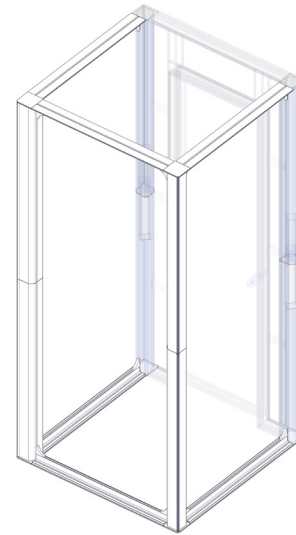
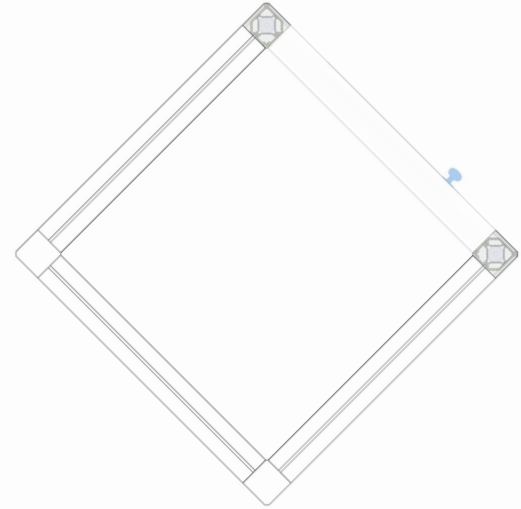
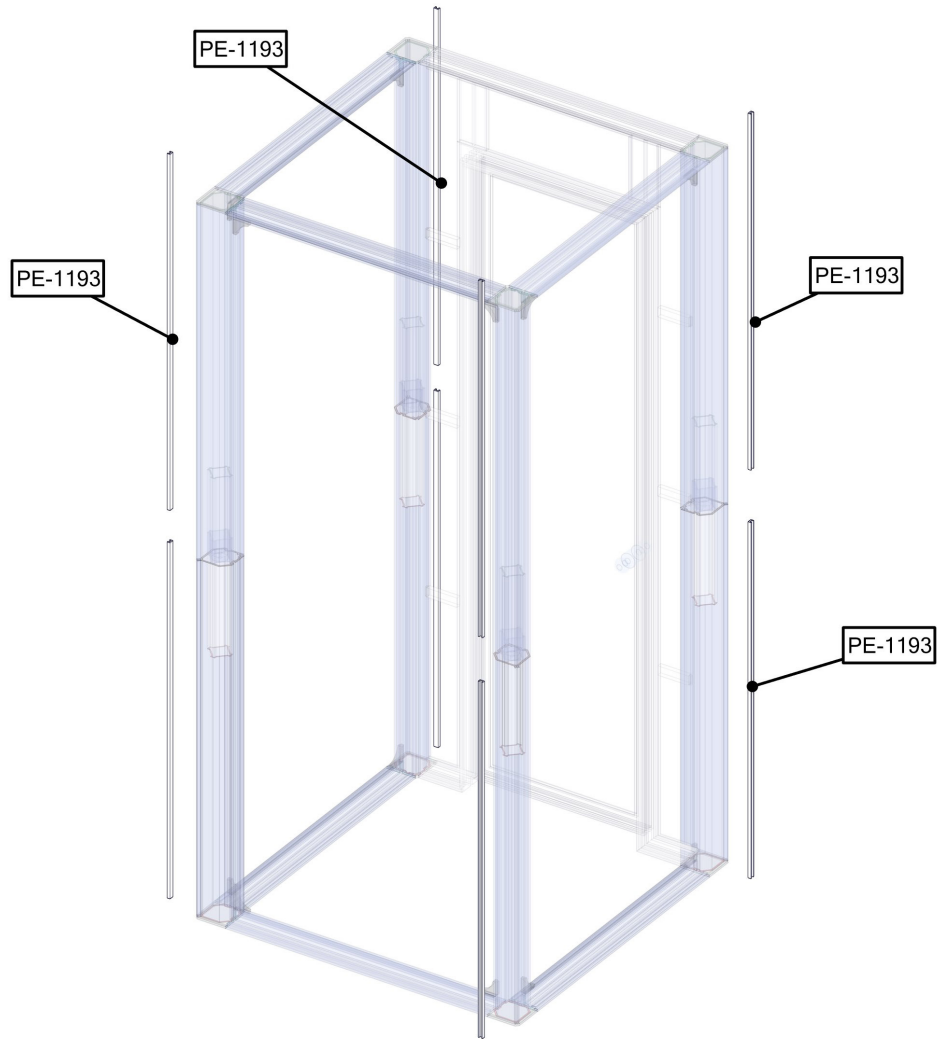
HP-K-26



-ASSEMBLE STORAGE CLOSET

Exploded Diagram

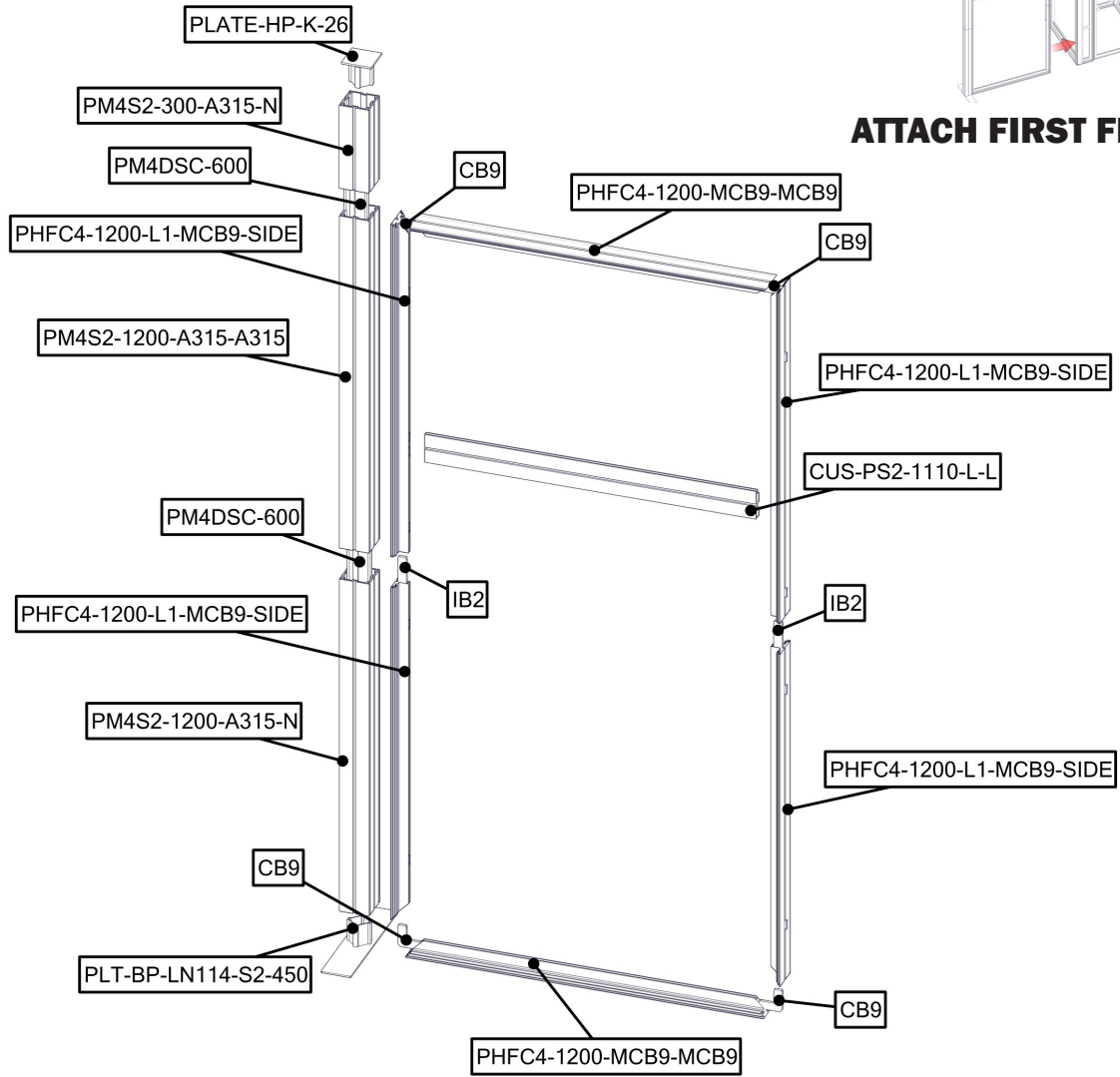
HP-K-26



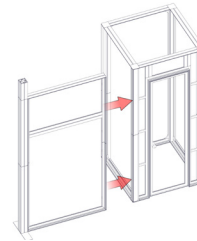
-ASSEMBLE PE'S

Exploded Diagram

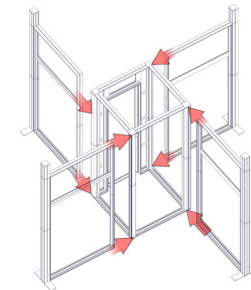
HP-K-26



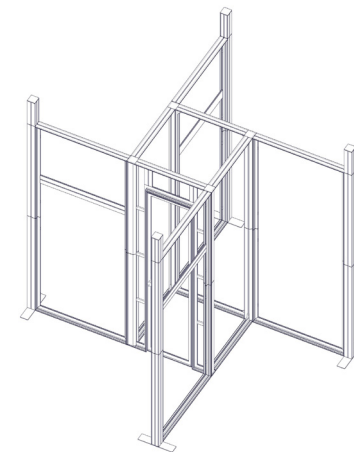
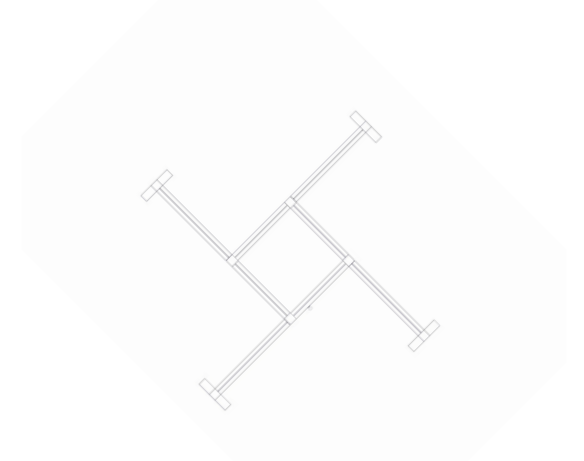
-ASSEMBLE WING x4



ATTACH FIRST FRAME

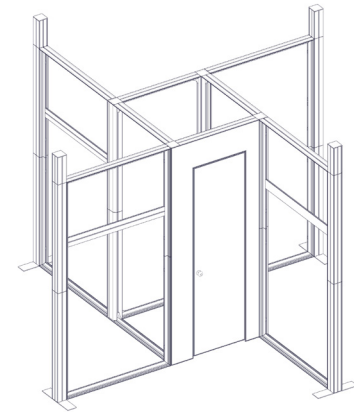
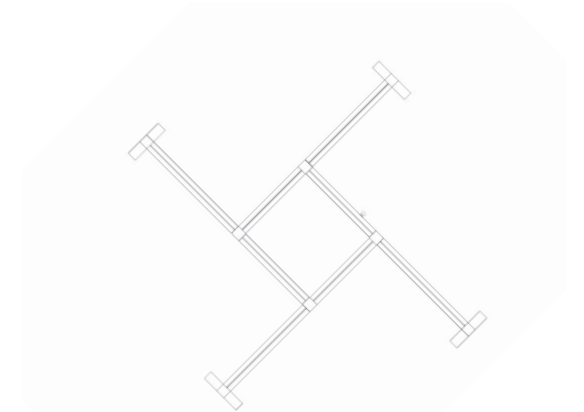
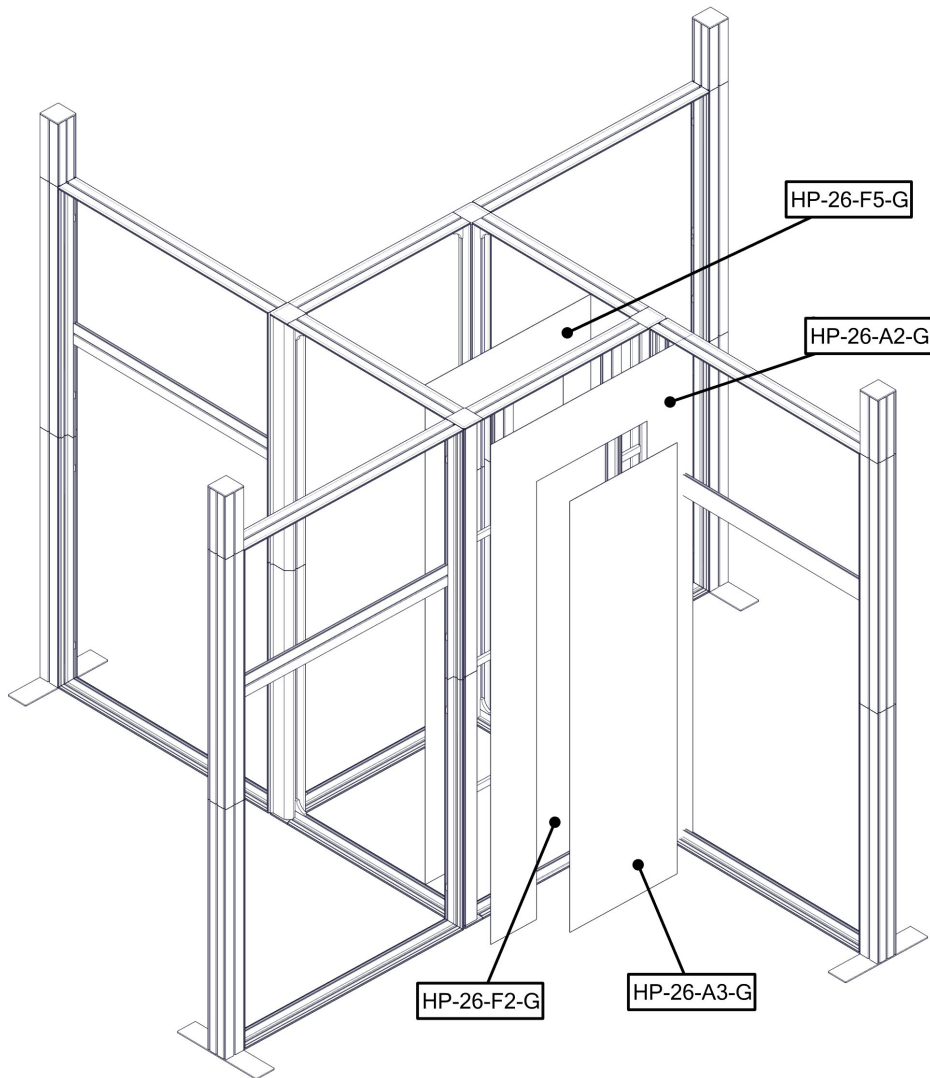


ATTACH ALL 4 FRAMES



Exploded Diagram

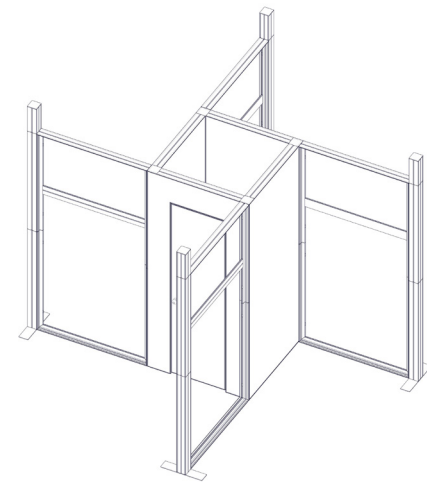
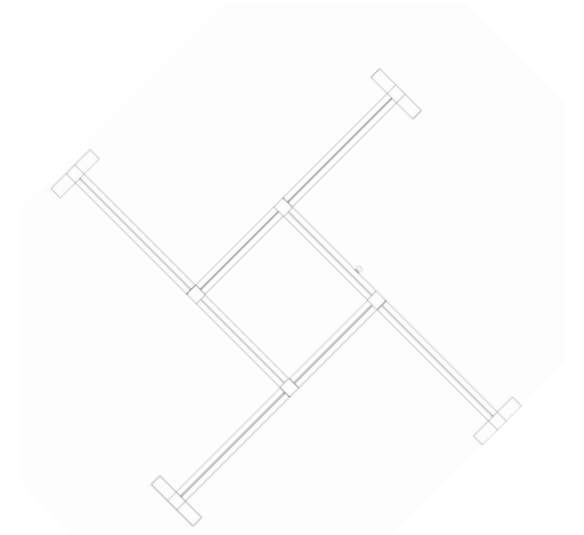
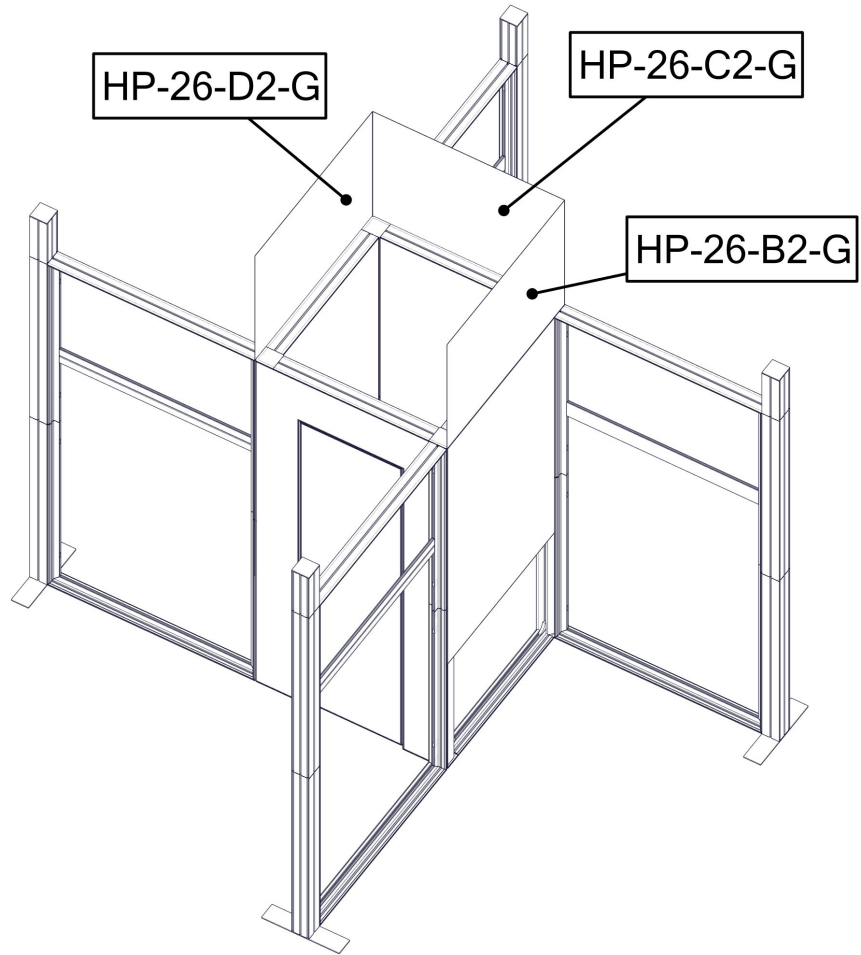
HP-K-26



-ATTACH DOOR GRAPHICS

Exploded Diagram

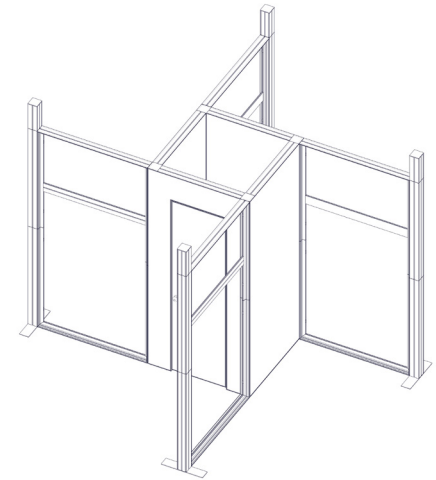
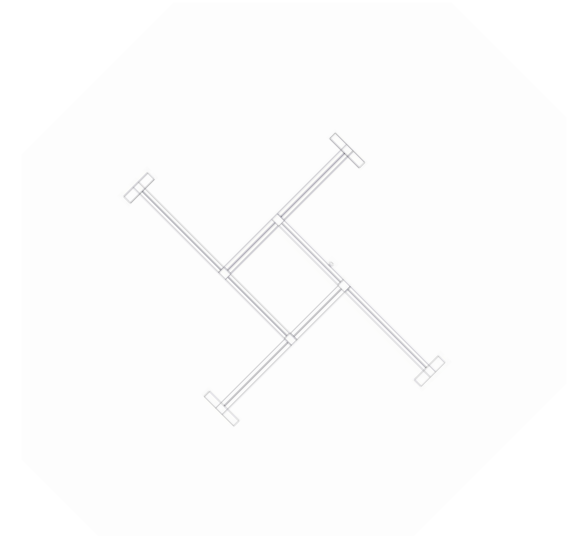
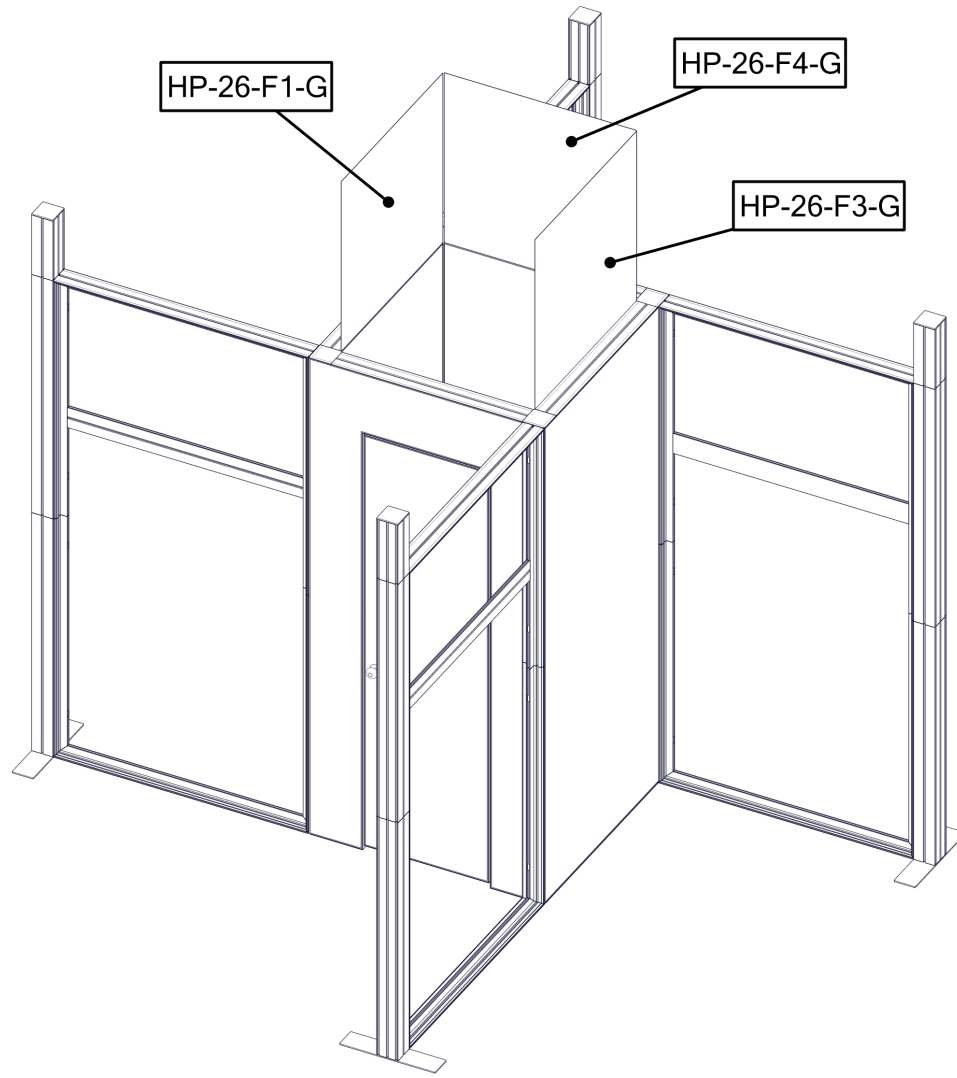
HP-K-26



-ATTACH OUTSIDE STORAGE ROOM GRAPHICS

Exploded Diagram

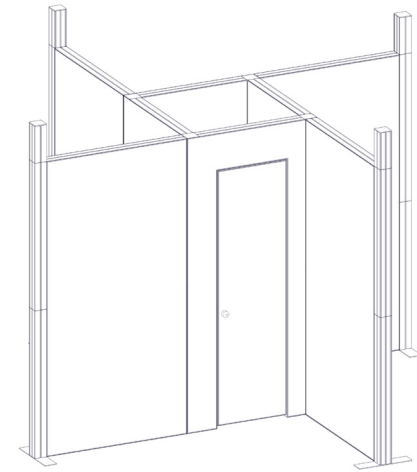
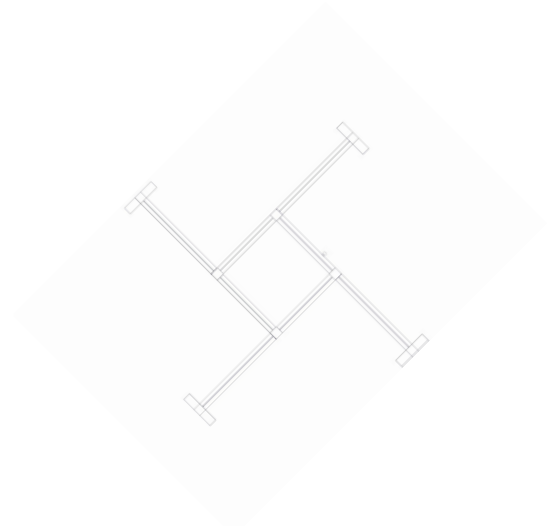
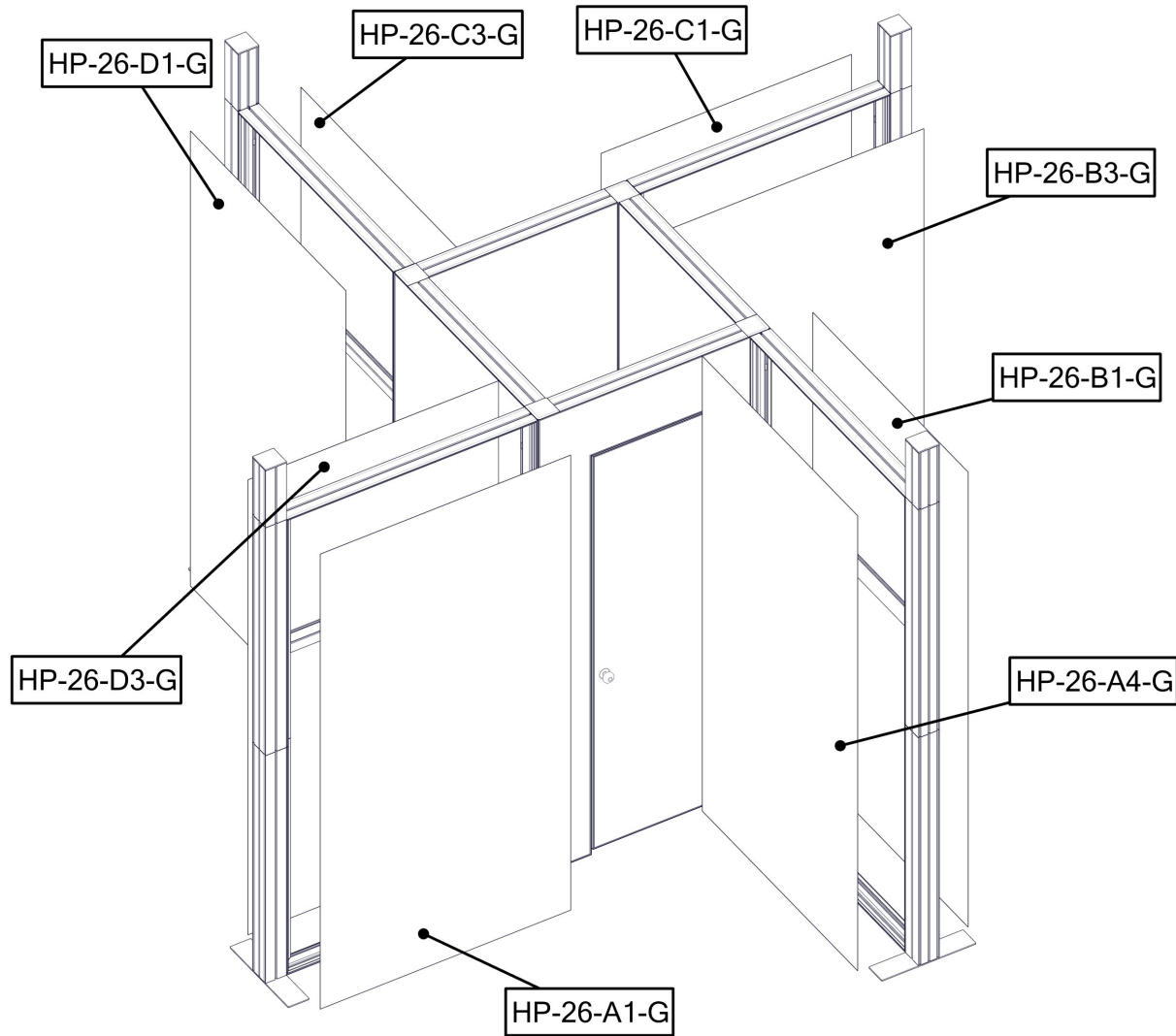
HP-K-26



-ATTACH INSIDE STORAGE ROOM LINERS

Exploded Diagram

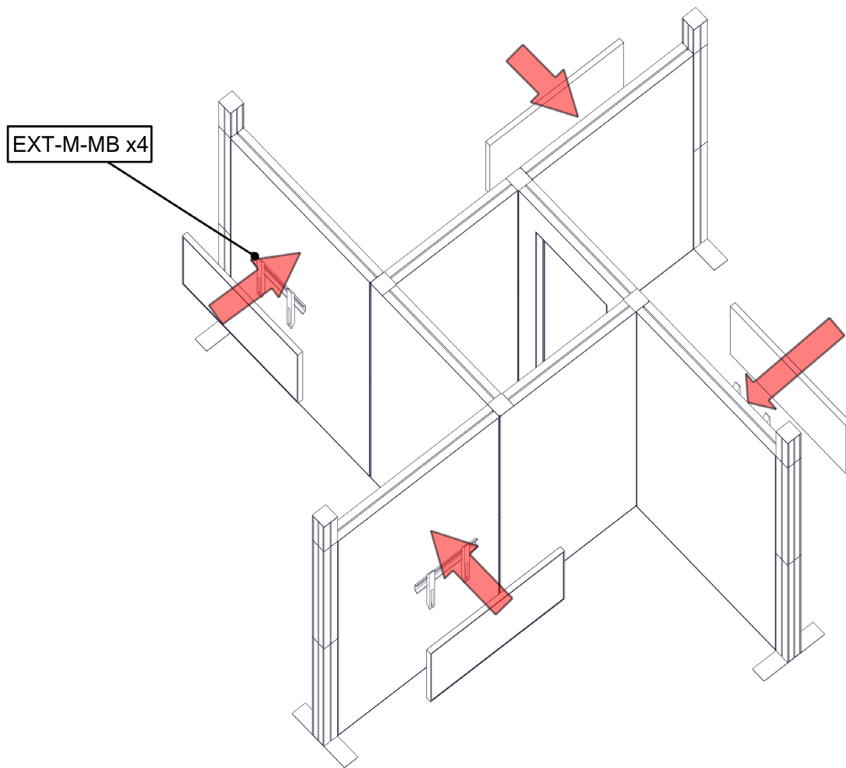
HP-K-26



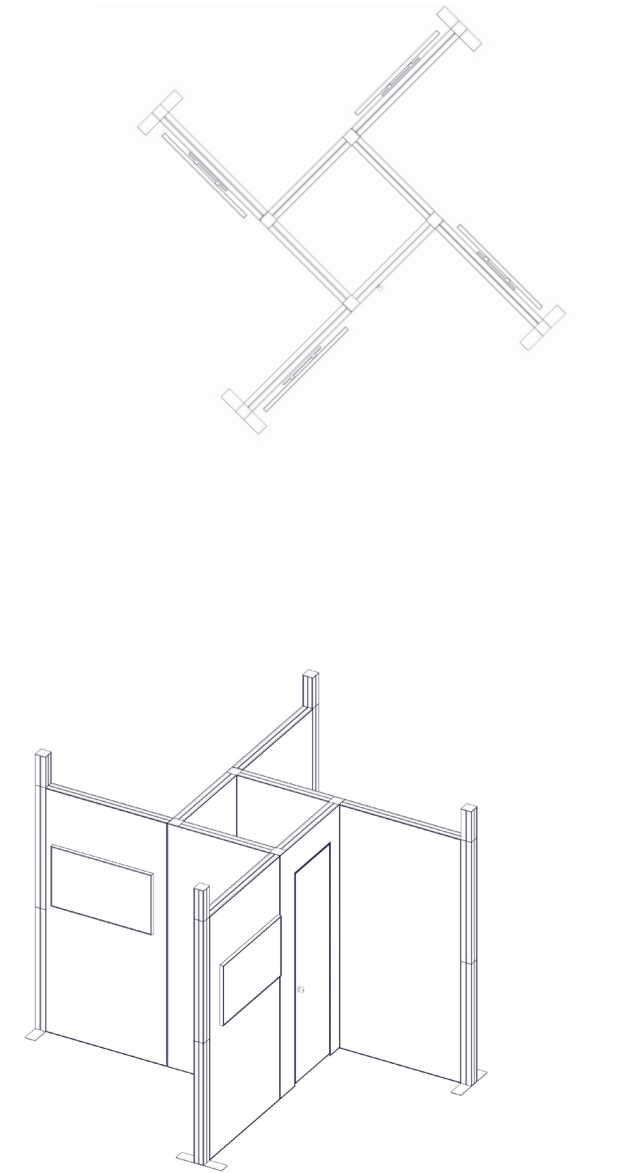
-ATTACH ALL WING FRAME GRAPHICS

Exploded Diagram

HP-K-26

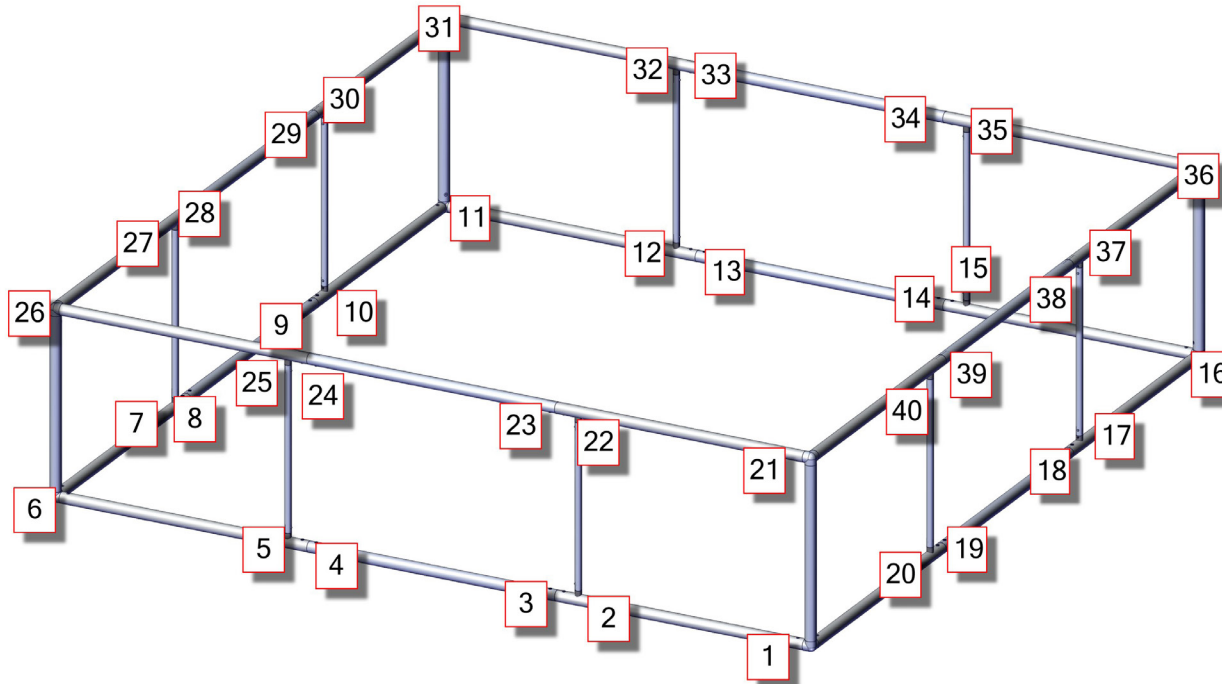


-ATTACH ALL MONITOR MOUNTS



Labeling Diagram

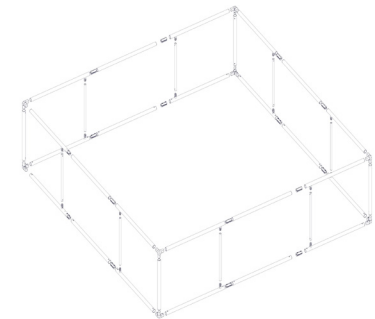
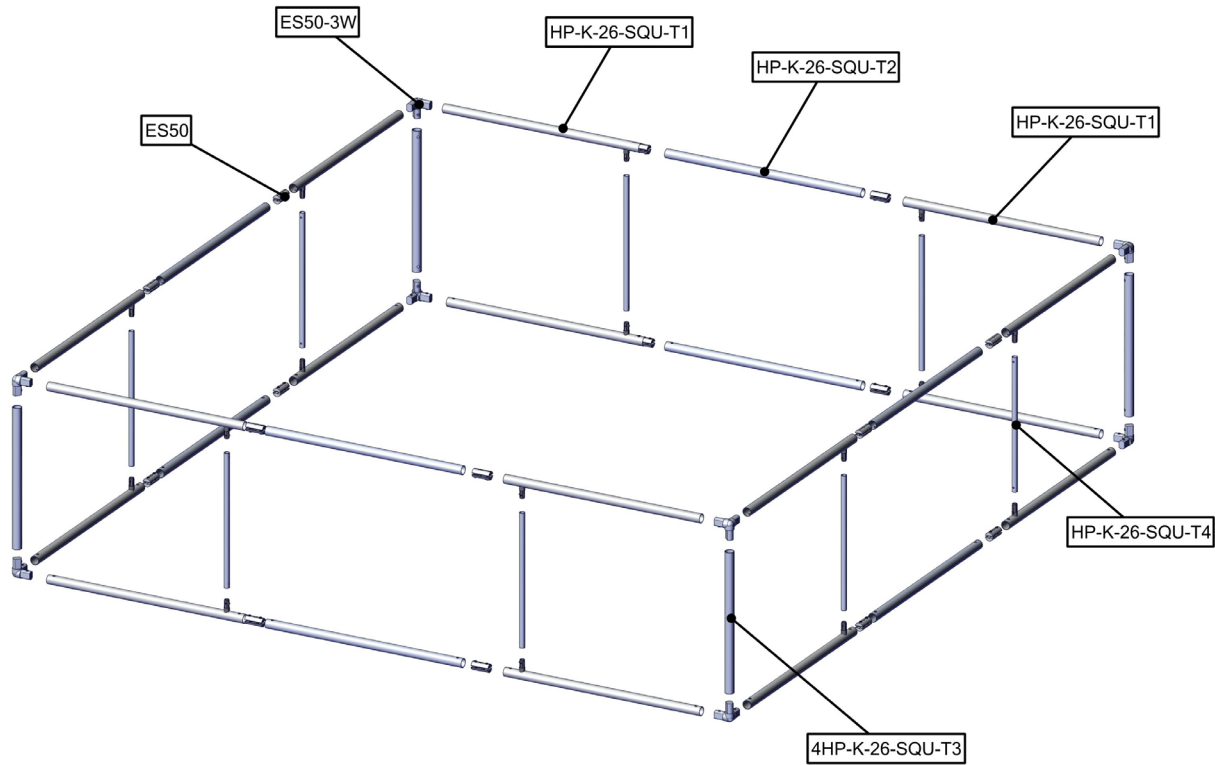
HP-K-26



-ASSEMBLE TUBING HP-K-26-SQU

Exploded Diagram

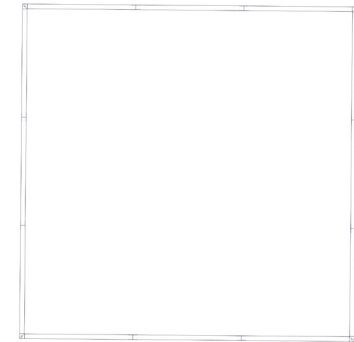
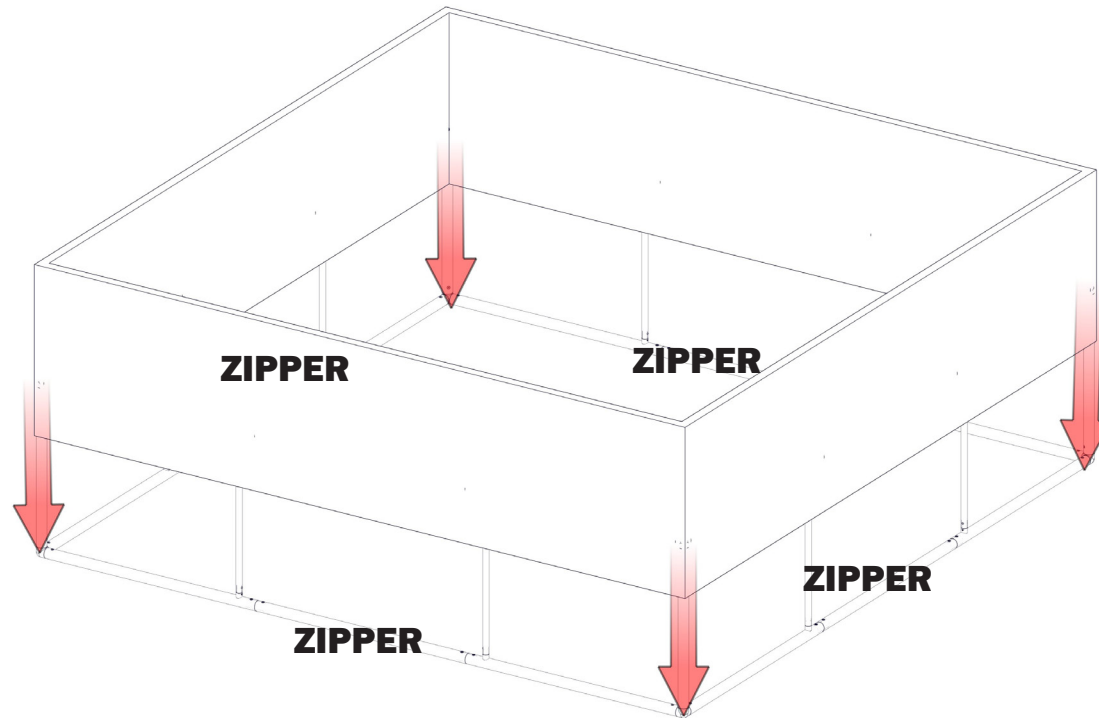
HP-K-26



-ASSEMBLE HP-K-26-SQU

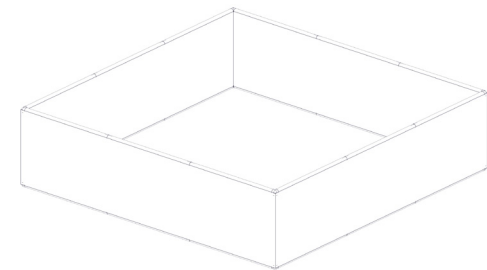
Exploded Diagram

HP-K-26



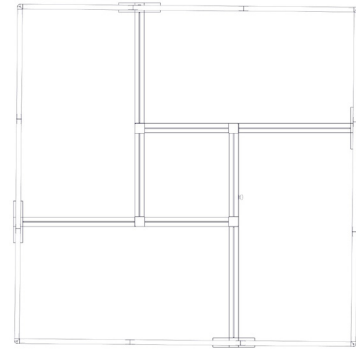
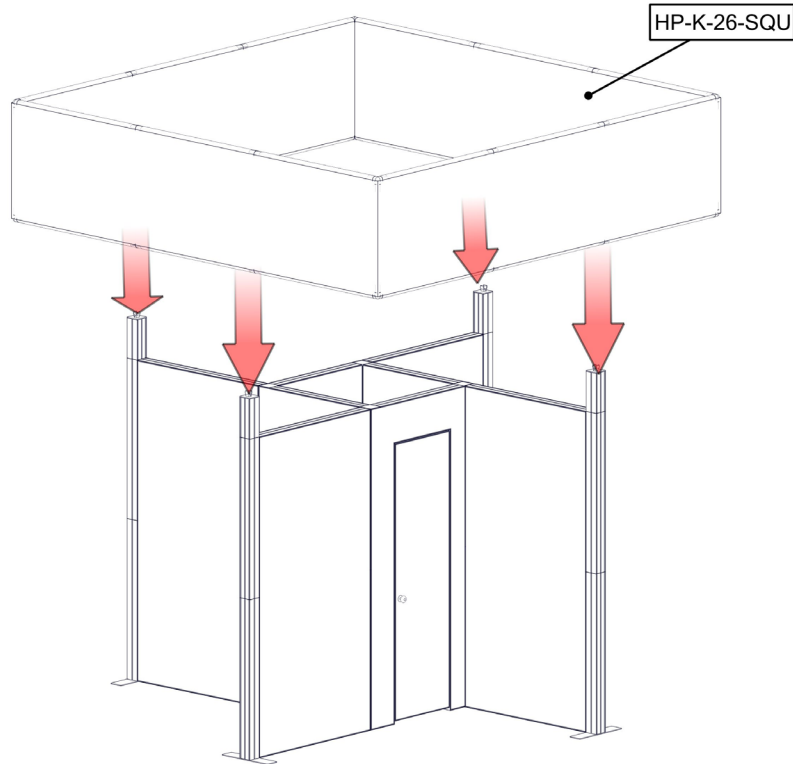
*****MAYBE BETTER TO INSTALL GRAPHICS WITH FRAME UP SIDE DOWN. THIA WILL ENSURE GRAPHICS DOESNT TOUCH FLOOR OR GET DIRTY**

-ATTACH HP-K-26-SQU GRAPHIC/ZIPPER



Exploded Diagram

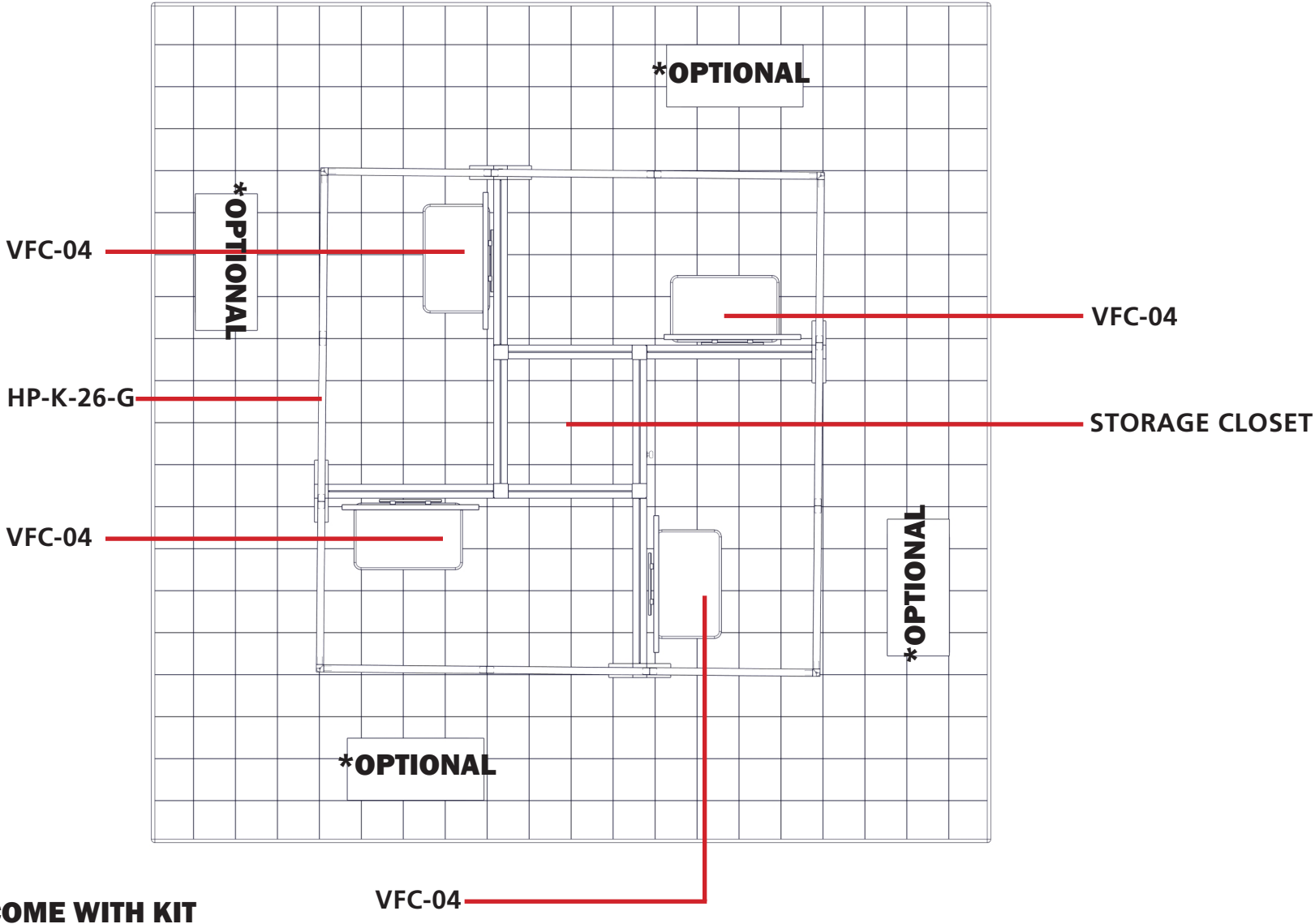
HP-K-26



-ATTACH HP-K-26-SQU TO LOWER STRUCTURE

Suggested Kit Layout

HP-K-26 LAYOUT



***-DO NOT COME WITH KIT**

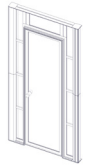
Kit Assembly

Step by Step

Step 1.

Gather the components to build the Door & Wall. Use the Exploded View and the Labeling Diagram for part labels.

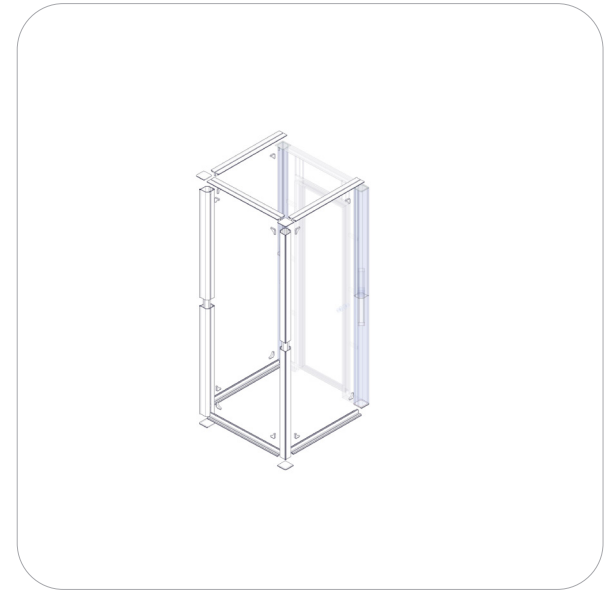
Reference Connection Method(s) 1, 2, 3, 4 for more details.



Step 2.

Gather the components to build the Storage closet. Use the Exploded View and the Labeling Diagram for part labels.

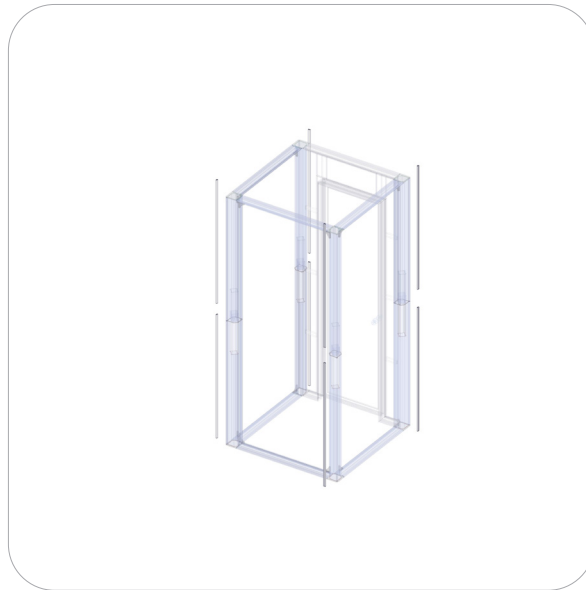
Reference Connection Method(s) 2, 3, 4, and 5 for more details.



Step 3.

Gather the components to build the PE. Use the Exploded View and the Labeling Diagram for part labels.

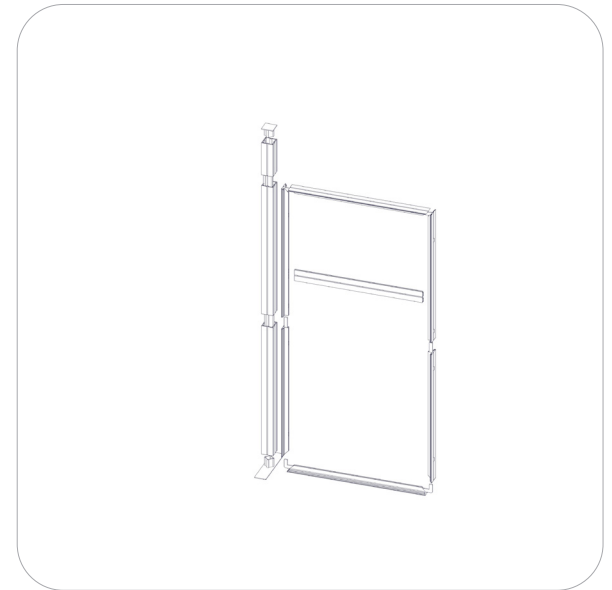
Reference Connection Method(s) 1, 2 and 3 for more details.



Step 4.

Gather the components to build the 1 of 4 wing walls (all assemble the same). Use the Exploded View and the Labeling Diagram for part labels.

Reference Connection Method(s) 9, 10, 11, and 18 for more details.



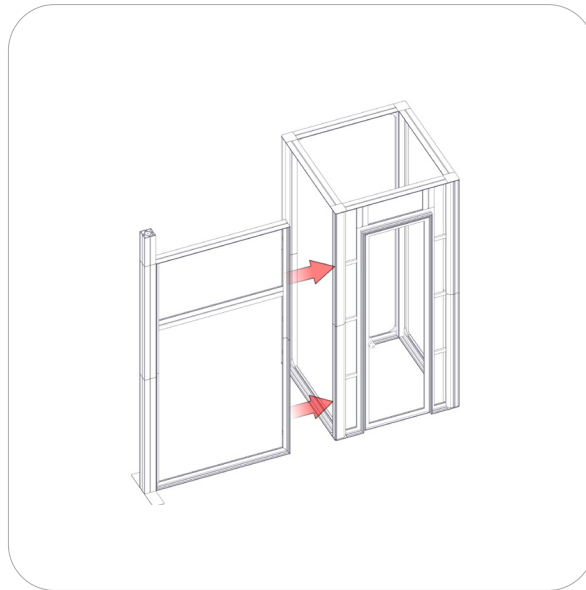
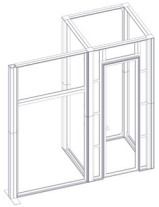
Kit Assembly

Step by Step

Step 5.

Attach wing wall to storage closet. Use the Exploded View and the Labeling Diagram for part labels.

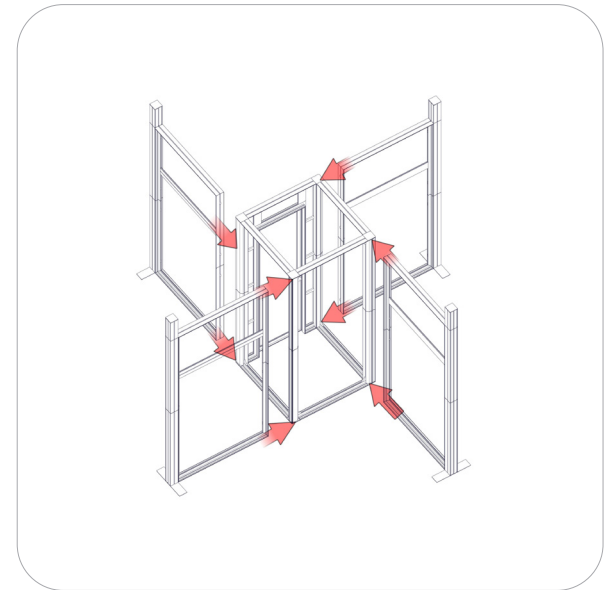
Reference Connection Method(s) 7 for more details.



Step 6.

Like is step 6, attach other 3 wing wall to storage closet. Use the Exploded View and the Labeling Diagram for part labels.

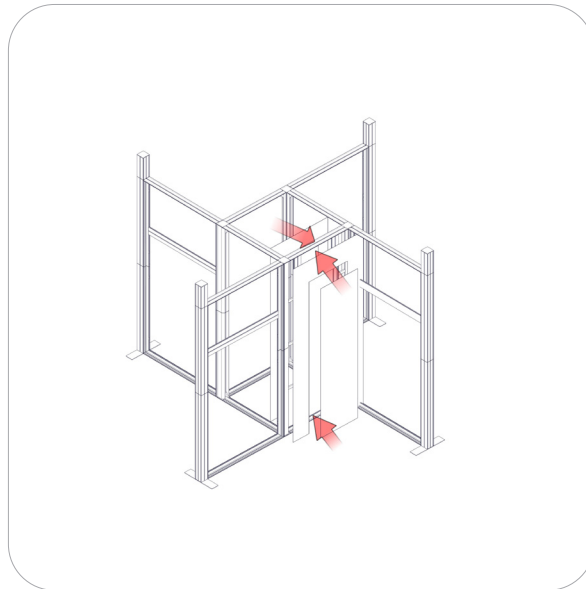
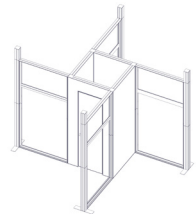
Reference Connection Method(s) 7 for more details.



Step 7.

Attach all graphics needed for VF-DOOR & wall. Use the Exploded View and the Labeling Diagram for part labels.

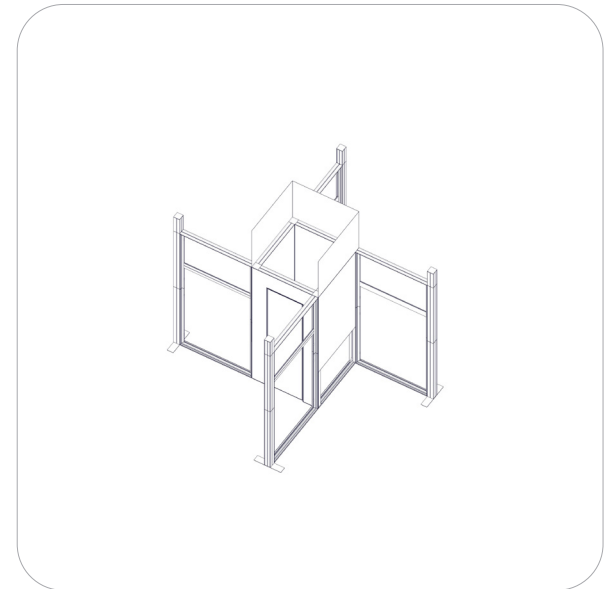
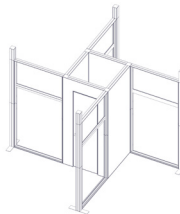
Reference Connection Method(s) 20 and 22 for more details.



Step 8.

Attach all graphics need for outer storage closet. Use the Exploded View and the Labeling Diagram for part labels.

Reference Connection Method(s) 20 and 22 for more details.



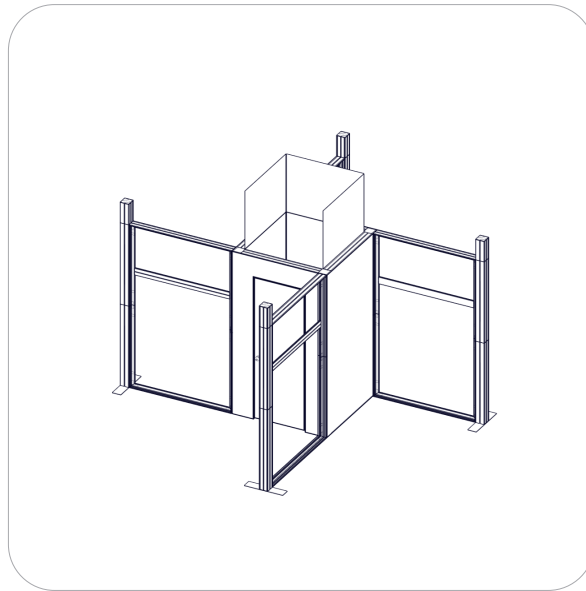
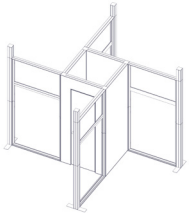
Kit Assembly

Step by Step

Step 9.

Attach inner graphics to storage closet. Use the Exploded View and the Labeling Diagram for part labels.

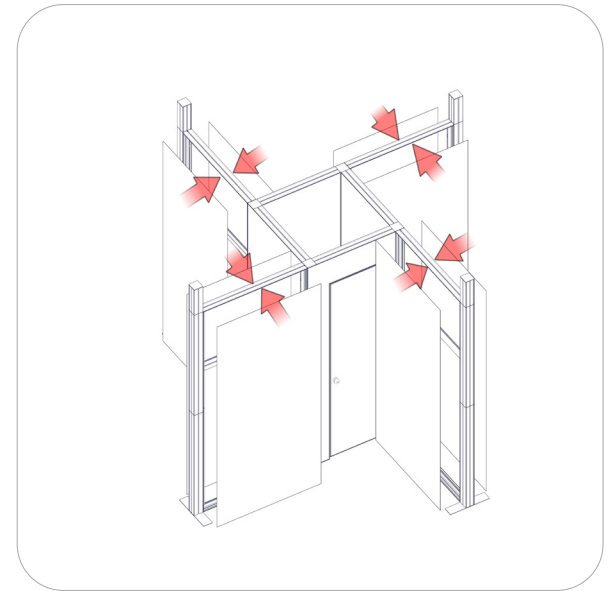
Reference Connection Method(s) 20 and 22 for more details.



Step 10.

Attach all graphics to wing wall. Use the Exploded View and the Labeling Diagram for part labels.

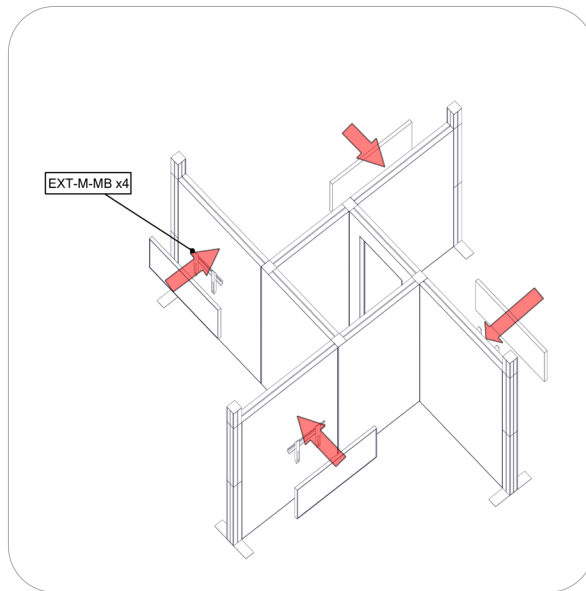
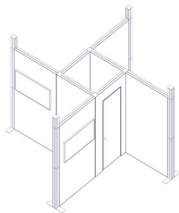
Reference Connection Method(s) 20 and 22 for more details.



Step 11.

Gather the components needed to attach monitor mount x4. Use the Exploded View and the Labeling Diagram for part labels.

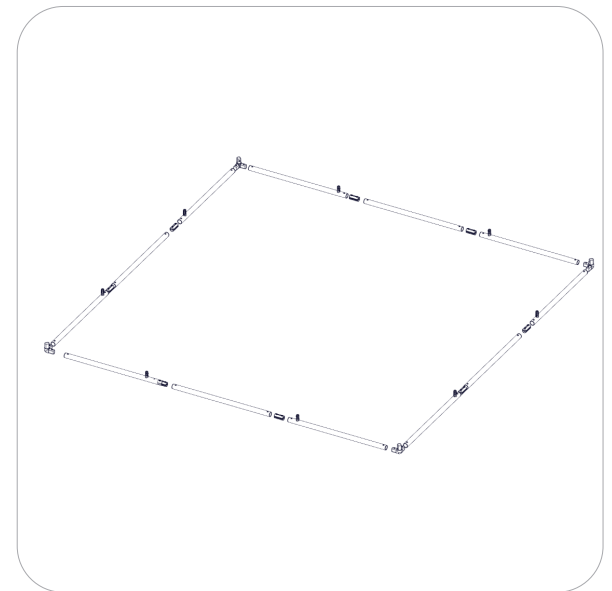
Reference Connection Method(s) 16 for more details.



Step 12.

Gather the components needed to assemble bottom of tube frame. Use the Exploded View and the Labeling Diagram for part labels.

Reference Connection Method(s) 13, 14 and 15 for more details.



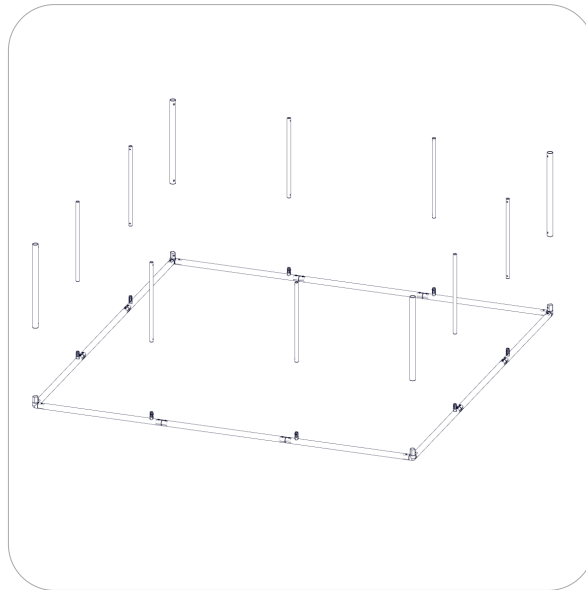
Kit Assembly

Step by Step

Step 13.

Gather the components needed to assemble middle of tube frame. Use the Exploded View and the Labeling Diagram for part labels.

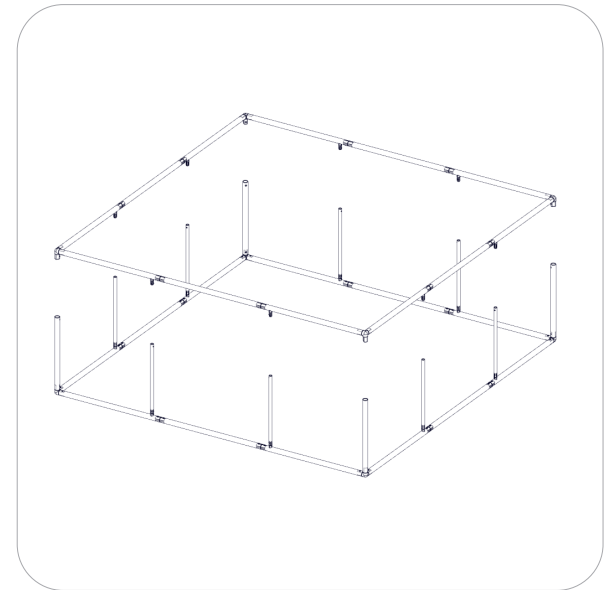
Reference Connection Method(s) 13, 14 and 15 for more details.



Step 14.

Gather the components needed to assemble top of tube frame. Tube frame is now complete. Use the Exploded View and the Labeling Diagram for part labels.

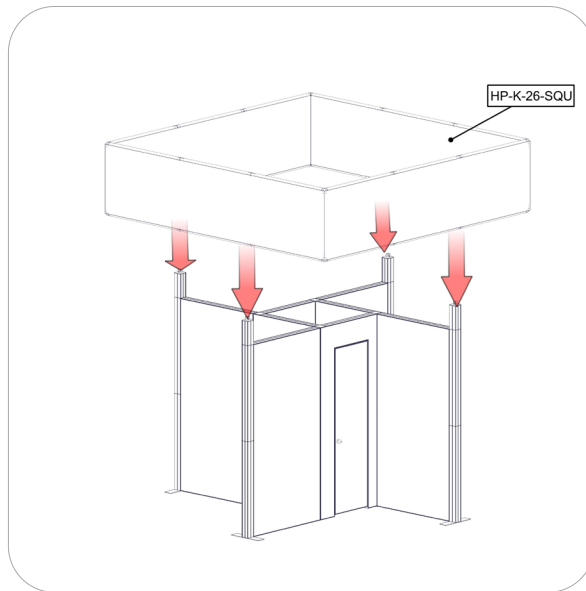
Reference Connection Method(s) 13, 14 and 15 for more details.



Step 15.

Gather the components needed to attach tube structure to storage closet. Use the Exploded View and the Labeling Diagram for part labels.

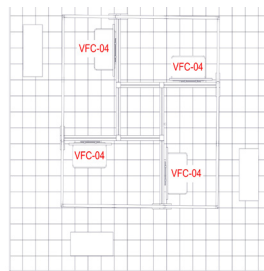
Reference Connection Method(s) 18 for more details.



Step 16.

Gather the components needed to assemble VFC-04. After this page is a detailed PDF with instructions on how to assemble counter

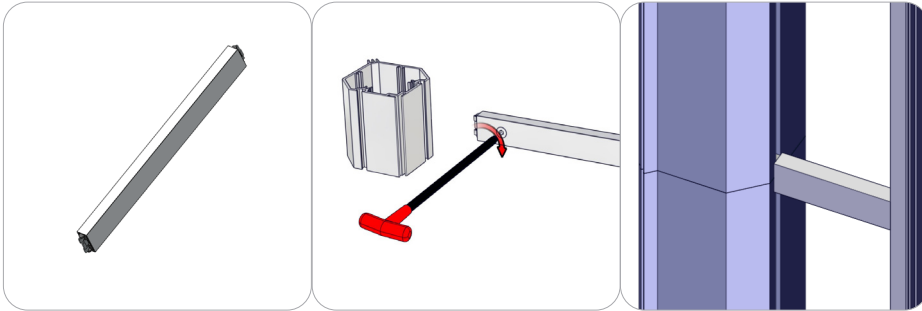
Reference Connection Method(s) Follow instruction on PDF to follow this page.



SETUP COMPLETE

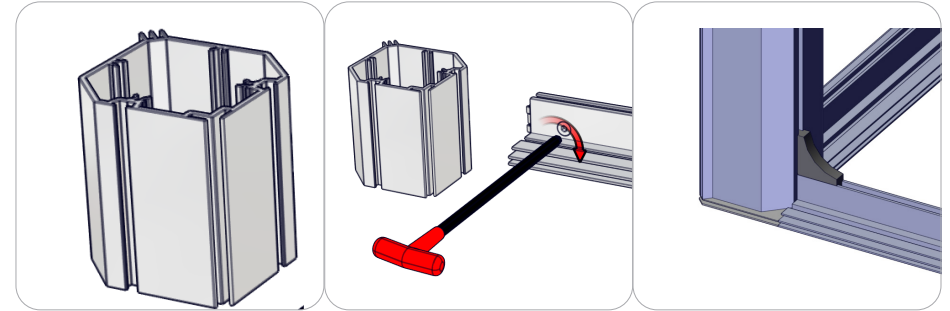
Connection Methods

Connection Method 1: PMFC4-90 to PH1



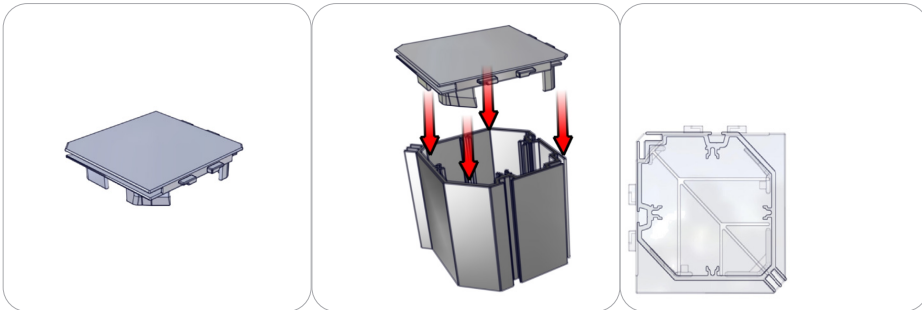
First, place the cam lock teeth of the PH1 into the desired extrusion channel of the PMFC4-90. Second, use the allen key tool to lock the cam buttons in place. Make half turns clock-wise to engage the cam-lock. Do not over tighten the lock buttons.

Connection Method 2: PMF4-90



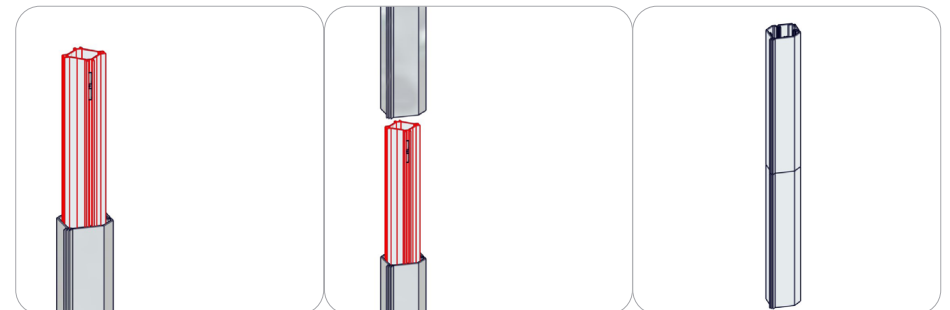
First, loosen the thumb screws and channel bars on the stabilizing bases. Do not disassemble them. Second, slide channel bars into the frame channel flush with the base of the frame. Third, tighten the thumb screws and channel bars securing the attachment. Do not over tighten the thumb screws.

Connection Method 3: PMFC-90 CAP



A line plastic clips of cap to extrusion. Once a lined should fit. Do not force cap on, for this could damage the cap.

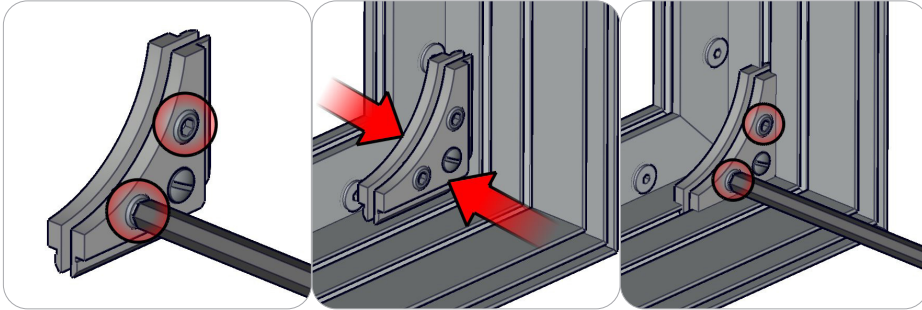
Connection Method 4: PM4DSC



First, slide the PH2C-2 connector into post unit it rest on the PH2C stop. Second, then slide the top post onto the PH2C-2 CONNECTOR. Once connected there should be no gaps between the two.

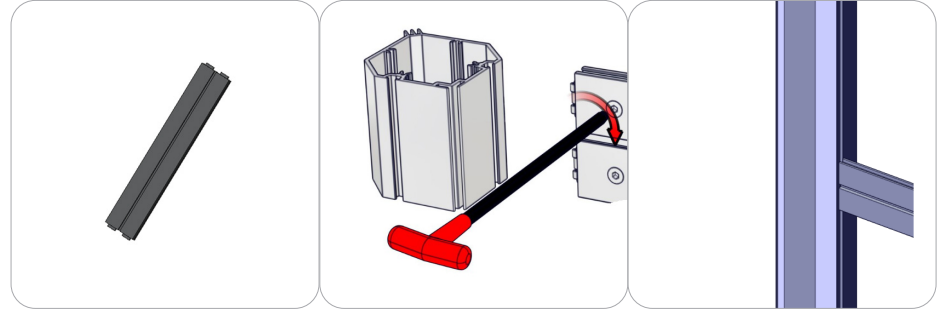
Connection Methods

Connection Method 5: CBE-50



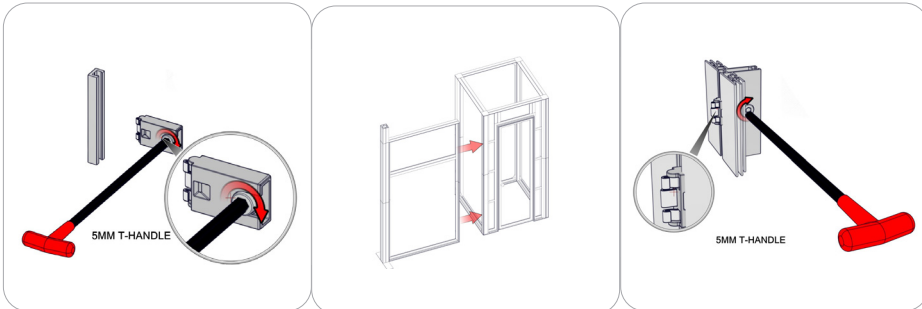
First, use the provided hex tool to loosen the two 5mm hex set screws. Next, compress the bracket and apply it to the corner channel. Then, tighten the set screws. Do not over tighten the set screws. Do not loosen the spring loaded screw.

Connection Method 6: PS2



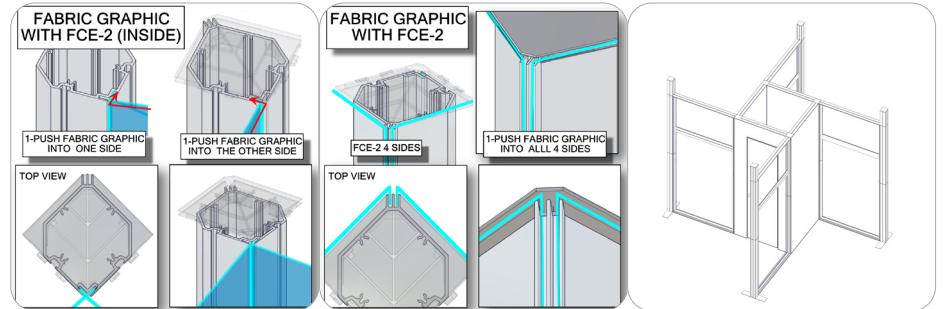
First, place the cam lock teeth of the PS2 into the desired extrusion channel of the PMFC4-90. Second, use the allen key tool to lock the cam buttons in place. Make half turns clock-wise to engage the cam-lock. Do not over tighten the lock buttons.

Connection Method 7: PE



First, line up wing wall with PE attached to PMFC4-90. Second, slide wing until cam lock hooks are inside channel of PE on PMFC4-90. Last, once in proper placement tighten with tool. Do not over tighten, this could damage the extrusions

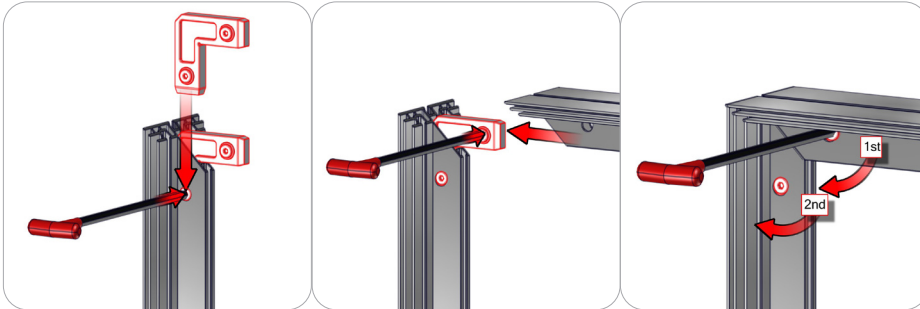
Connection Method 22: GRAPHICS PMFC4-90



Follow the illustrations above. Install inside graphics first. Second, Then outside graphics.

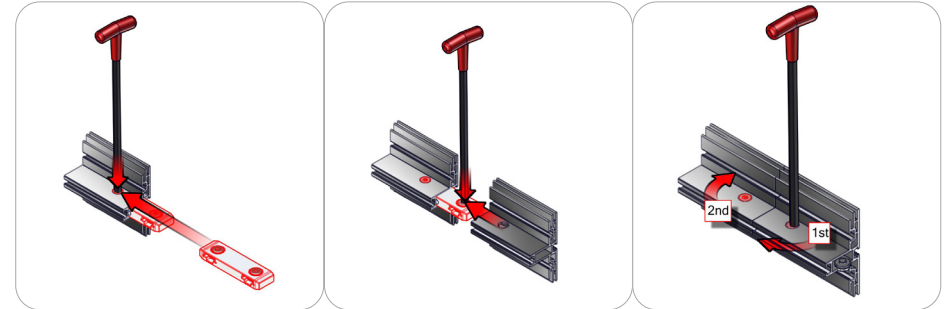
Connection Methods

Connection Method 9: CB9



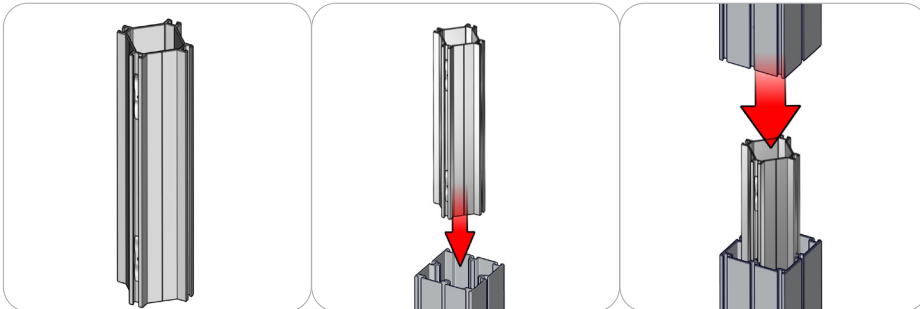
First, insert the corner connector into the extrusion while holding in the lock button with the allen key tool. Second, slide the next extrusion onto the same corner connector while holding in the lock button using the allen key tool. Third, use the allen key tool for locking the corner connector buttons in place. Use the allen key tool to make half turns clock-wise. Do not over tighten the lock buttons.

Connection Method 10: IB2



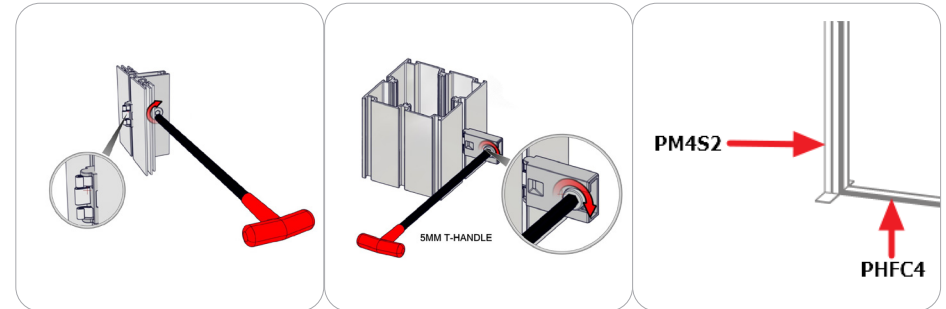
First, insert the in-line connector into the extrusion while holding in the lock button with the allen key tool. Second, slide the next extrusion onto the same in-line connector while holding in the lock button using the allen key tool. Third, use the allen key tool for locking the in-line connector buttons in place. Use the allen key tool to make half turns clock-wise. Do not over tighten the lock buttons.

Connection Method 11: PM4DSC



First, take the PM4DSC connector and align it with the internal channels of the next extrusion. Second, slide the connector into the inside channels of the extrusion. The tension glides on the connector will keep it center and snug. The extrusion will have stop pins pre installed to stop it from sinking in. Third, take the next extrusion and apply it on top of the connector completing your connection.

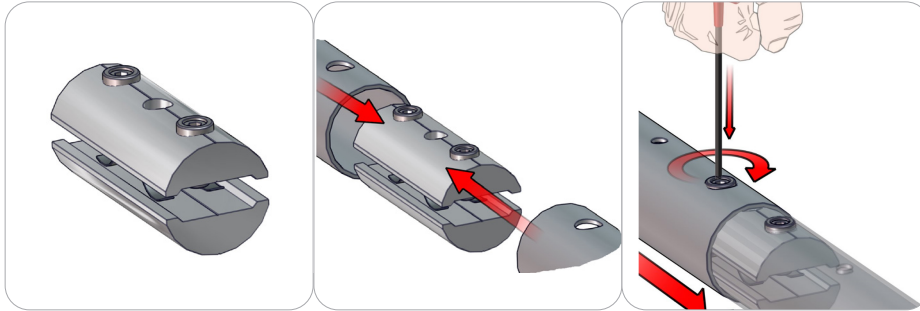
Connection Method 12: PM4S2 to PHFC4



First, PHFC4 has embedded cam lock. As the illustration show above, the PHFC4 lock is place in the proper channel needed. Once in place you can use 5mm tool tool lock into place. Be sure not to over tighten. This could damage extrusion.

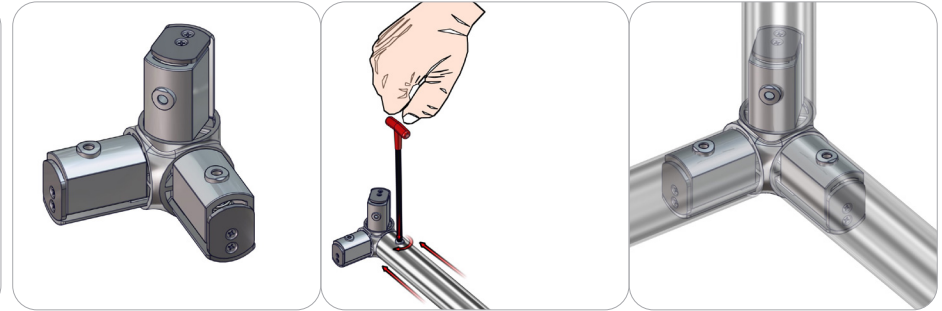
Connection Methods

Connection Method 13: ES50



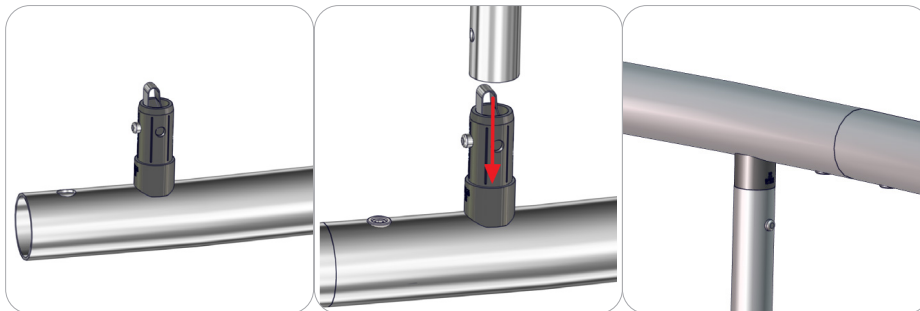
For spigot connections, compress the unlocked connector and slide into the tube lock access hole. Lock both screws carefully using your allen key tool. Be sure to lock securely, but do not over tighten. Do not force the connection and be careful with the tube edges, they may be sharp. To disassemble, unlocked connector press the snap button and pull apart.

Connection Method 14: ES50-3W



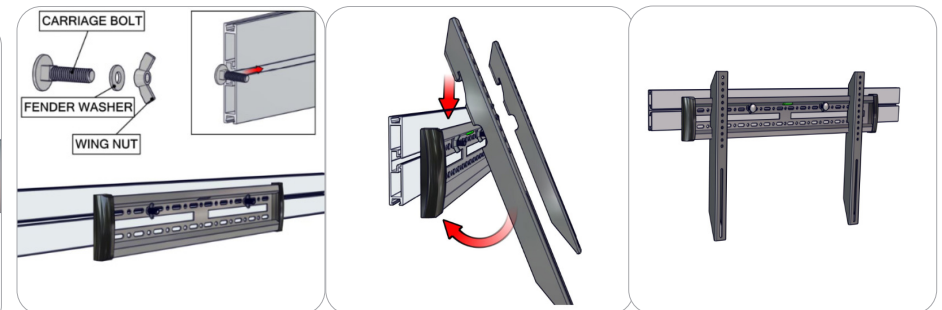
First, check if the connector ends compress. If they do not compress, use the allen key tool for turning the internal screw counter clockwise. Second, compress the connector end and slide it into the tube. Align the connector end button with the tube hole until it pops out. Third, use the allen key tool for turning the internal screw clockwise for a secure fit. Be sure to lock securely, but do not over tighten.

Connection Method 15: TC-30-D



First, check if the connector ends compress. If they do not compress, use the allen key tool for turning the internal screw counter clockwise. Second, compress the connector end and slide it into the tube. Align the connector end button with the tube hole until it pops out. Third, use the allen key tool for turning the internal screw clockwise for a secure fit. Be sure to lock securely, but do not over tighten. Attach a snap button tube to the plastic connector.

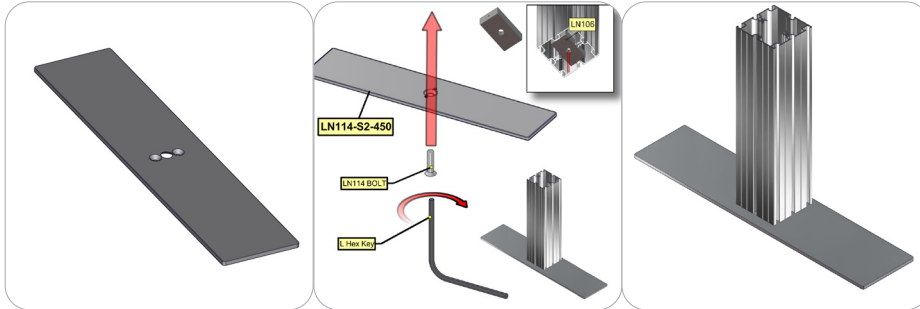
Connection Method 16: EMT-M-MB



First, insert bolts into proper channel. Then secure monitor mount with washers & wing nuts. Second, attach monitor to brackets see NB manual for more info.

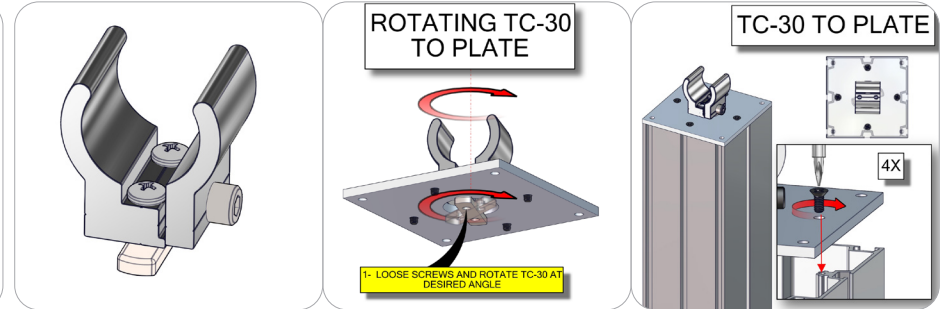
Connection Methods

Connection Method 17: BP-LN114-S2-450



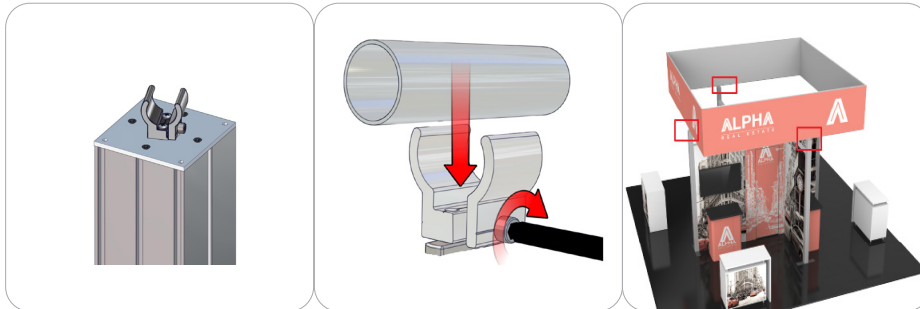
First, make sure you have the stabilizing base plate with the large counter sink hole facing down for a flush finish when inserting the screw from the under side. Second, fasten the plate onto the PM452 with the installed threaded insert. Use the provided allen key tool to make a tight fit. Do not over tighten. Loosen the screw to rotate the plate.

Connection Method 18: TC-30MM-SILVER/ PLATE-HP-K-26



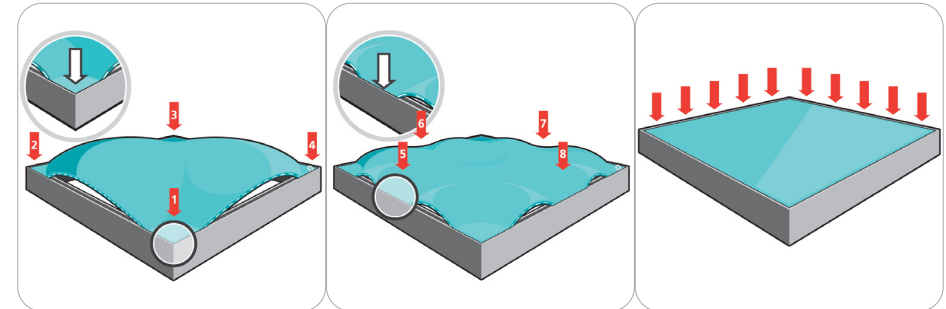
First, check if the connector ends compress. If they do not compress, use the allen key tool for turning the internal screw counter clockwise. Second, compress the connector end and slide it into the tube. Align the connector end button with the tube hole until it pops out. Third, use the allen key tool for turning the internal screw clockwise for a secure fit. Be sure to lock securely, but do not over tighten.

Connection Method 19: ATTACH HP-K-26 SQU TO BASE STRUCTURE



First, make sure screw in the TC-30 is loose in all 4 connection area's. Second, HP-K-26 Tube Structure needs to be lifted into place (or how ever you maybe hoisting the structure) Third, once HP-K-26 is in place Tighten the screws in all 4 TC-30's. Do not over tighten. This could damage graphic or tubes.

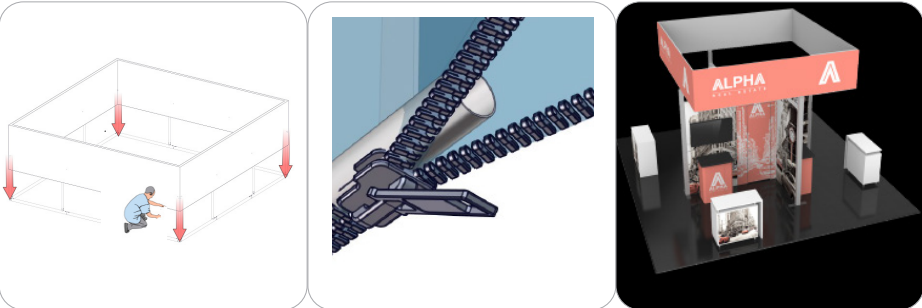
Connection Method 20: Graphic Application



First, insert the silicone edge frame corners into the frame graphic channel (points 1 through 4). Second, insert the silicone edge frame sides into the frame graphic channel (points 5 through 8). Third, push the remaining silicone edge fabric into the frame graphic channel. Similar setup is recommended for the opaque liner. To remove these panels, simply pull the loop tag sewn near a corner.

Connection Methods

Connection Method 21: ATTACH GRAPHIC SQU



First, flip the frame upside down. place graphic over tubing. Once in place you can start to stretch fabric in place. Graphic is now in its desired placement. Now, using the zipper close the graphic.

Monitor Bracket Instructions

Extrusion Channel Applications



EXT-SM-MB

Vesa Pattern: 75 x 75
up to 200 x 200mm

Max weight varies per application

Assembled unit:

10" w x 8.86" h x 2" d
255mm (w) x 225mm (h) x 50mm (d)

Shipping dimensions:

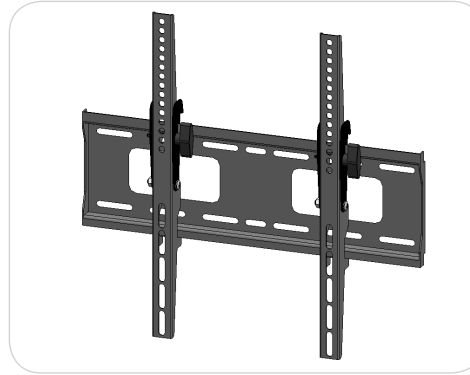
14" l x 6" h x 4" d
356mm (l) x 152mm (h) x 102mm (d)

Approximate total shipping weight:

6 lbs / 3 kg

Recommended monitor sizes:

23" - 42"



EXT-M-MB

Vesa Pattern: 200 x 200
up to 400 x 400mm

Max weight varies per application

Assembled unit:

17.6" w x 16.7" h x 1.6" d
448mm (w) x 425mm (h) x 40mm (d)

Shipping dimensions:

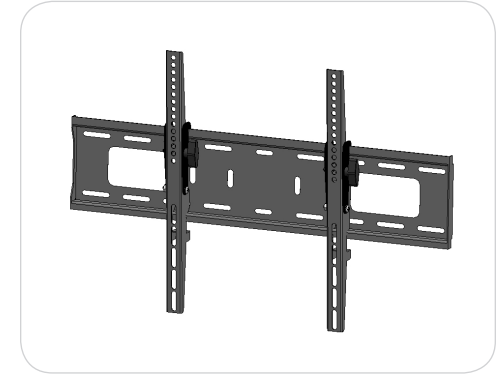
24" l x 4" h x 4" d
610mm (l) x 102mm (h) x 102mm (d)

Approximate total shipping weight:

8 lbs / 4 kg

Recommended monitor sizes:

32" - 55"



EXT-LG-MB

Vesa Pattern: 200 x 200
up to 600 x 400mm

Max weight varies per application

Assembled unit:

25.9" w x 16.7" h x 1.6" d
658mm (w) x 425mm (h) x 40mm (d)

Shipping dimensions:

28" l x 6" h x 6" d
711mm (l) x 152mm (h) x 152mm (d)

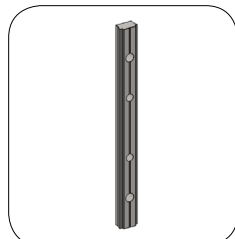
Approximate total shipping weight:

9 lbs / 5 kg

Recommended monitor sizes:

37" - 70"

Included hardware:



LN-100

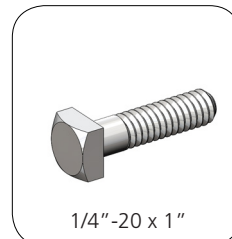
x2



M5 x 10

LN-LCD-SCW

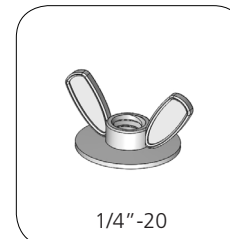
x2



1/4"-20 x 1"

BOLT-1

x2



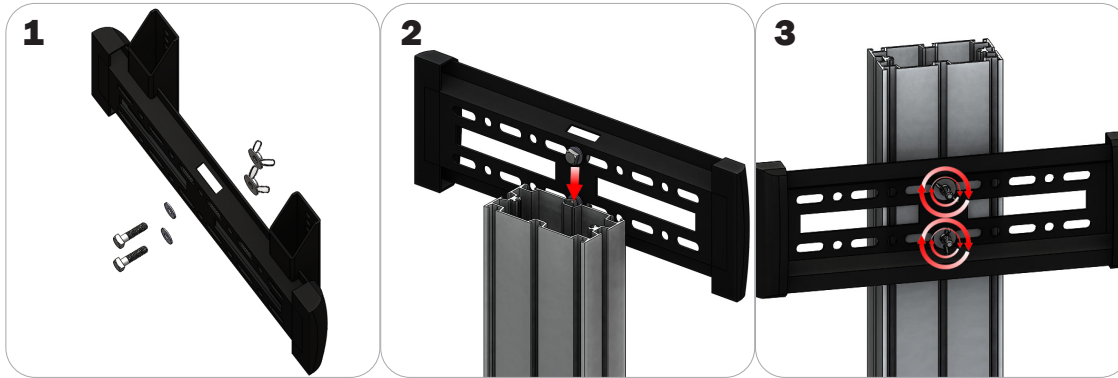
1/4"-20

Flange Wing nut

x2

Extrusion Connection

Channel Connection A



Locate all components needed to assemble the monitor mount with the channel connection A method. You will need (1) monitor bracket, (2) square head bolts, (2) washers, and (2) wing nuts.

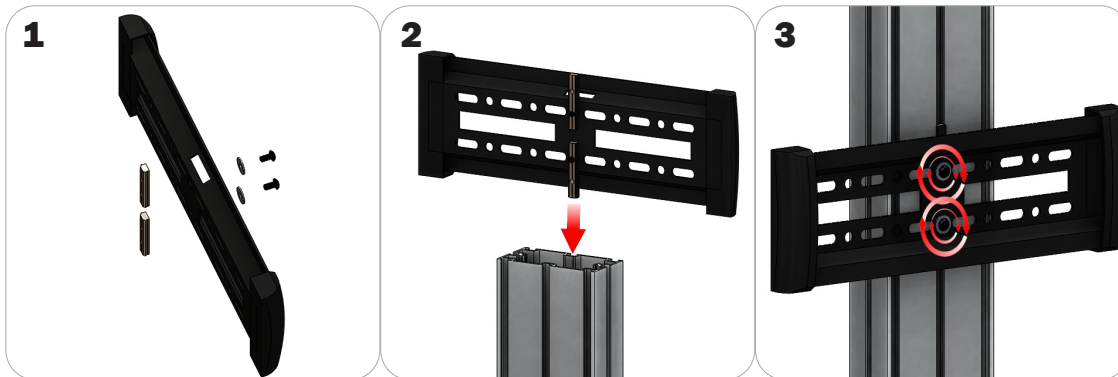
Step 1: Insert the provided bolts through the washers and center top and bottom holes of the monitor mount. Loosely thread your wing nuts onto the end of the bolts.

Step 2: Slide the bolt heads down the extrusion channel.

Step 3: Tighten your wing nuts to lock the monitor bracket in place.

Step 4: Reference the included manufacturer monitor mount instructions for fastening your monitor to the bracket.

Channel Connection B



Locate all components needed to assemble the monitor mount with the channel connection B method. You will need (1) monitor bracket, (2) LN-LCD-SCW, (2) LN-100, and (2) washers.

Step 1: Loosely thread the LN-LCD-SCW screws through the washers, the center top and bottom holes of the monitor bracket, and through the LN-50 holes.

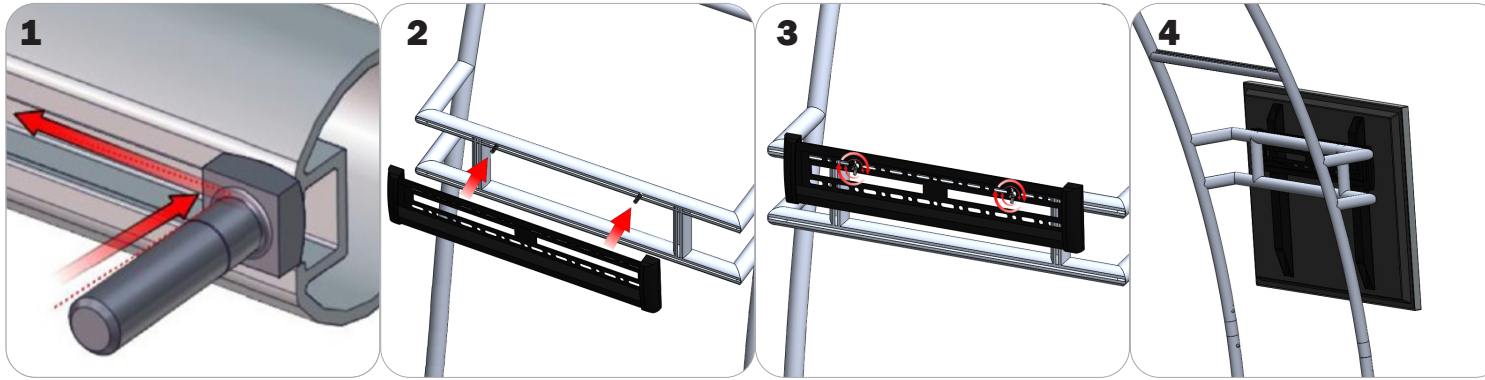
Step 2: Slide the LN-100s down the extrusion channel.

Step 3: Tighten your LN-LCD-SCW to lock the monitor bracket in place.

Step 4: Reference the included manufacturer monitor mount instructions for fastening your monitor to the bracket.

Extrusion Connection

TRI-30MM Channel Tube Connection



Locate all components needed to assemble the monitor mount with the TRI-30MM Channel Tube Connection method. You will need (1) monitor bracket, (2) Square Bolts, and (2) Wingnuts.

Step 1: Slip the head of the square bolts into the extrusion channel of the tube.

Step 2: Apply your monitor bracket to the protruding square bolts.

Step 3: Lock your monitor bracket to the square bolts using the provided wingnuts.

Step 4: Reference the included manufacturer monitor mount instructions for fastening your monitor to the bracket.

Vector Frame Counter 04

VFC-04

Vector Frame™ counters compliment the Vector Frame series of exhibit kits, but are also ideal for any stand-alone event or display. Vector Frame counters couple simple extrusion-based frames with push-fit graphics. Countertops are available in four colored finishes. Custom sizes also available.


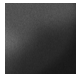




We are continually improving and modifying our product range and reserve the right to vary the specifications without prior notice. All dimensions and weights quoted are approximate and we accept no responsibility for variance. E&OE. See Graphic Templates for graphic bleed specifications.

features and benefits:

- Feature push-fit fabric graphics and simple extrusion based frames
- Choose from four countertop finishes
- Easy step-by-step instructions
- Wheeled portable shipping case
- Lifetime limited warranty against manufacturer defects

dimensions:

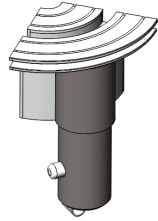
Hardware	Graphic
<p>Assembled unit: 31" w x 40.5" h x 19" d 1400mm(w) x 1029mm(h) x 572mm(d)</p> <p>Approximate unit weight: 52 lbs / 24 kg</p>	<p>Refer to related graphic template for more information</p> <p>Visit: www.exhibitors-handbook.com/graphic-templates</p>
Shipping	
<p>Packing case(s) 1 OCH2</p> <p>Shipping dimensions: 52" l x 29" h x 15" d 1321mm(l) x 737mm(h) x 381mm(d)</p> <p>Approximate shipping weight: 82 lbs / 37 kg</p>	
additional information:	
<p>Graphic material: Dye-sublimation SEG push-fit fabric</p> <p>Counter holds max weight 100 lbs / 46 kg</p>	
<p>Tabletop Colors:</p> <div style="display: flex; justify-content: space-around; align-items: center;"> <div style="text-align: center;">  silver </div> <div style="text-align: center;">  black </div> <div style="text-align: center;">  mahogany </div> <div style="text-align: center;">  natural </div> </div>	

Included In Your Kit

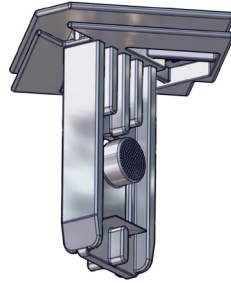
Tools, Components, & Connectors



5MM ALLEN-T x1



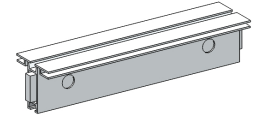
CB10-R x8



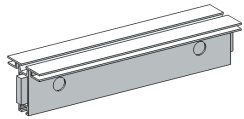
PMFC2-90-CAP x4



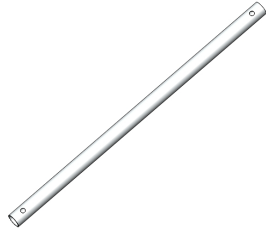
PMFC2-90-986-L1-L1 x2



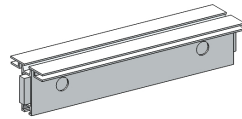
PHFC2-600-L-L x2



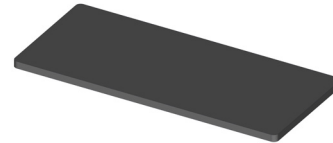
PHFC2-300-L-L x4



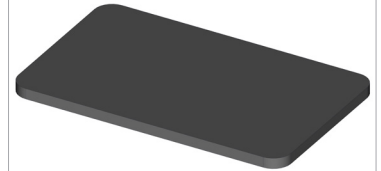
TUBE-30-910 x4



PHFC2-100-L-L x4



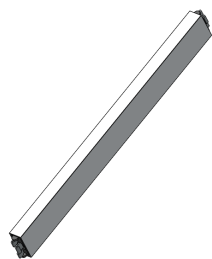
VFC-04-CT-S x1



VFC-04-CT x1



PE-1000 x2

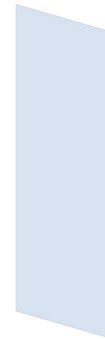


PH1-288-L-L x4

Graphics



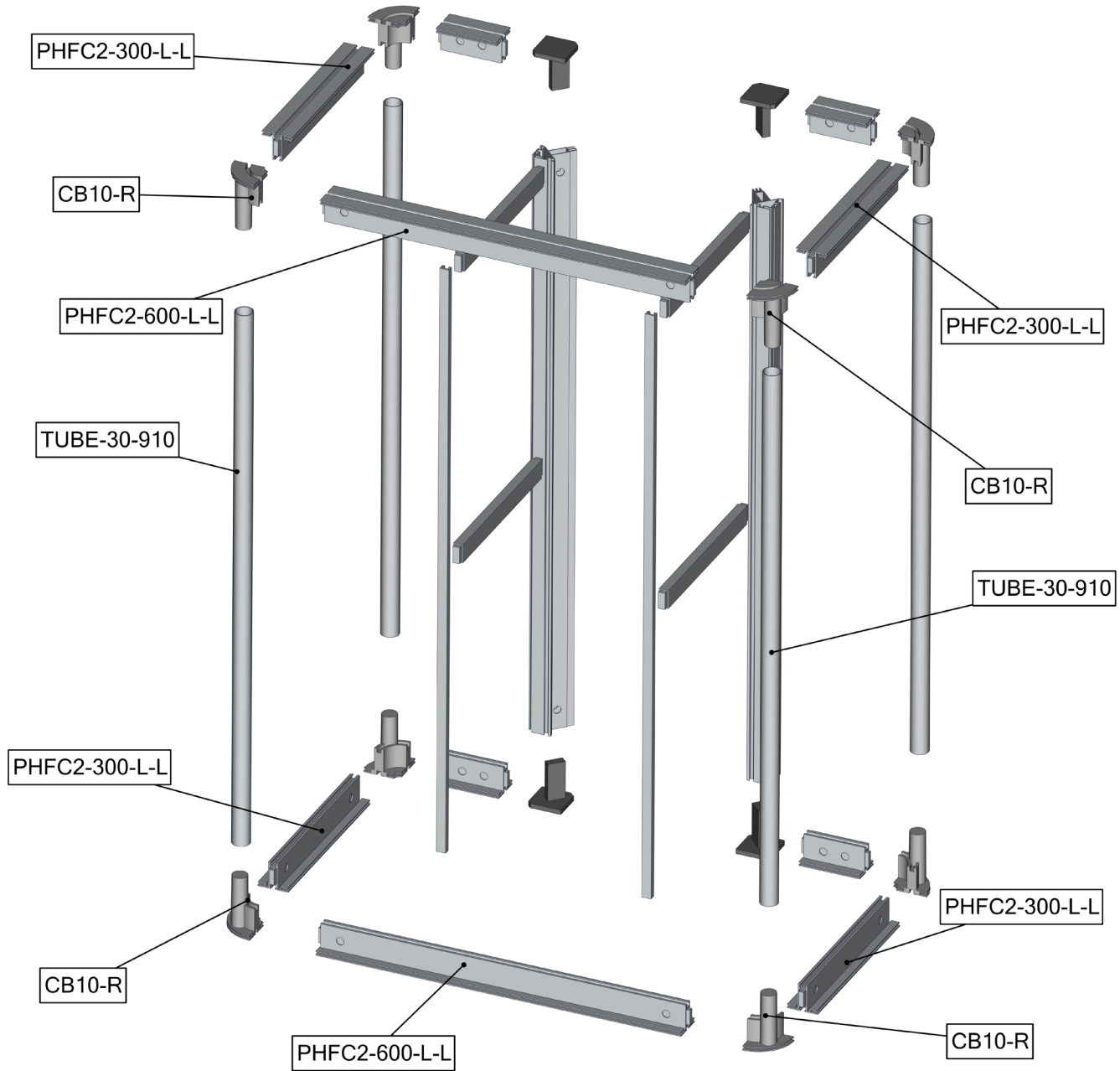
VFC-04-A-G x1



VFC-04-B-G x1

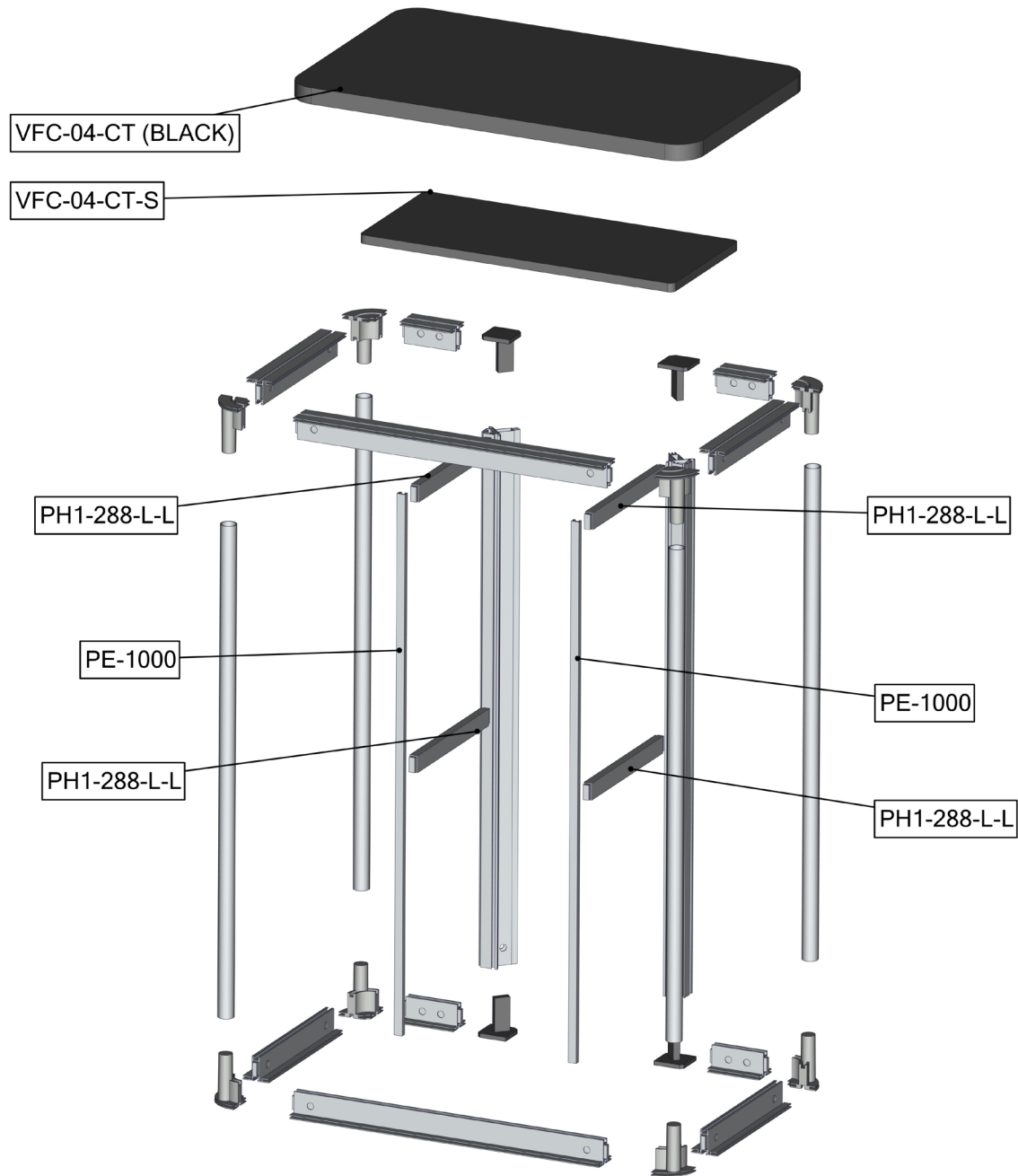
Exploded View

VFC-04
Section 1



Exploded View

VFC-04
Section 3



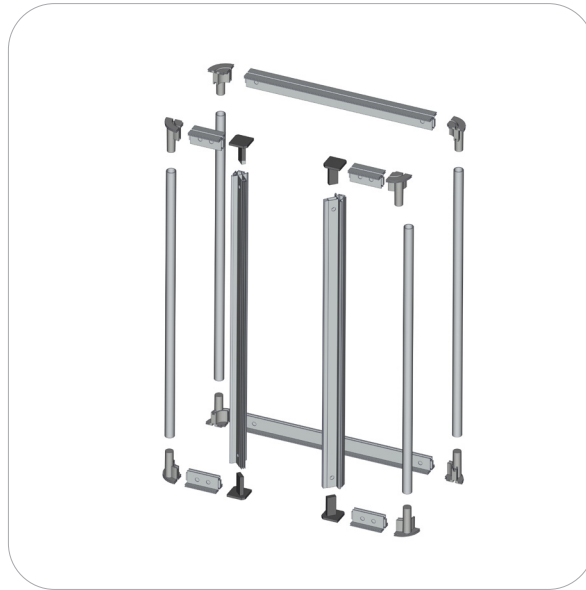
Kit Assembly

Step by Step

Step 1.

Gather the components to build the counter frame sections 1 and 2. Use the Exploded View section 1 and 2 for part labels.

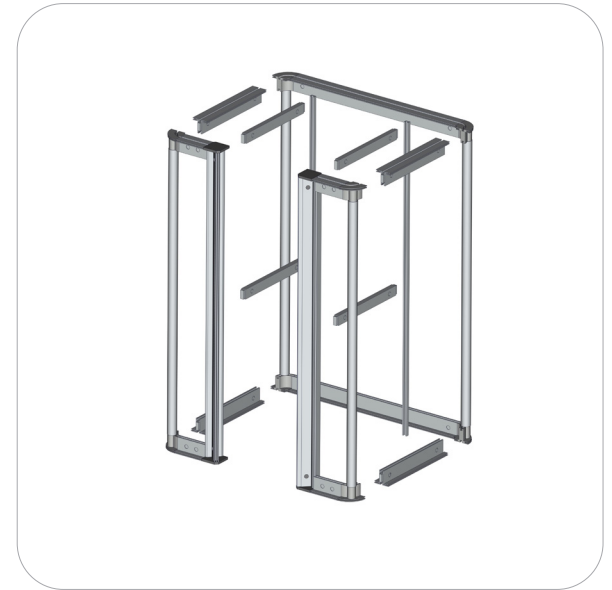
Reference Connection Method(s) 1, 2 and 3 for more details.



Step 2.

Gather the components to build the counter frame section 3. Use the Exploded View section 3 for part labels. Use section 3 to merge sections 1 and 2.

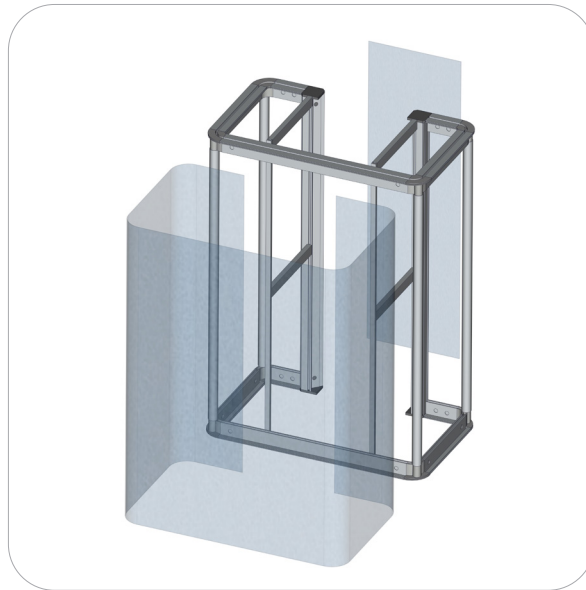
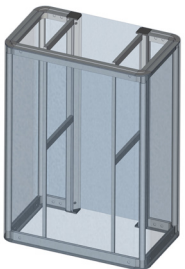
Reference Connection Method(s) 2, 3 and 4 for more details.



Step 3.

Apply the counter fabric graphics by pressing the edges of the graphic into the extrusion fabric channel.

Reference Connection Method 5 for more details.

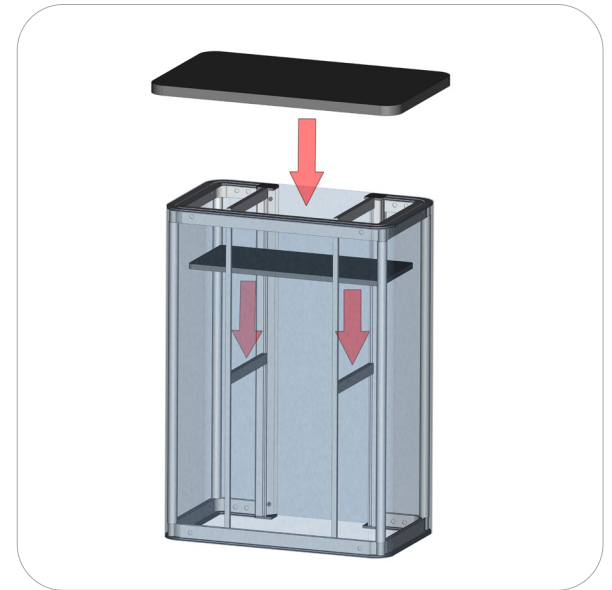
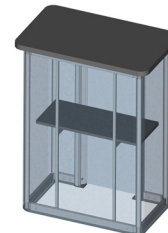


Step 4.

Gather the components to build the counter top and shelf. Use the Exploded View section 3 for part labels.

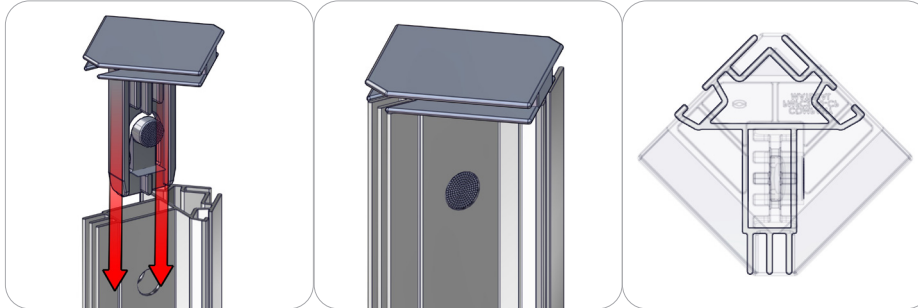
Reference Connection Method 6 for more details.

Setup is complete.



Connection Methods

Connection Method 1: PMFC2-90-CAP



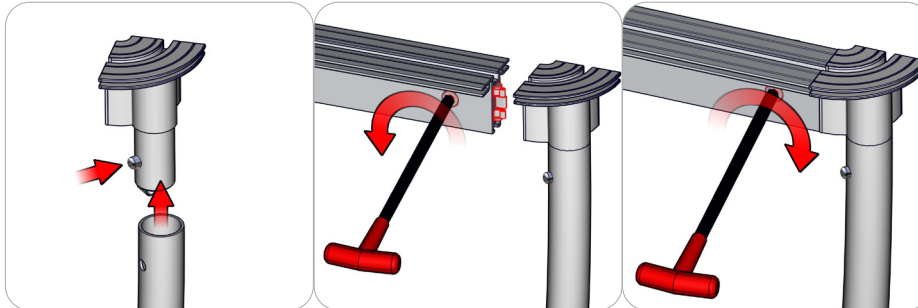
First, press button to insert the cap into the extrusion. The button will snap in place.

Connection Method 2: PMFC2 / PHFC2



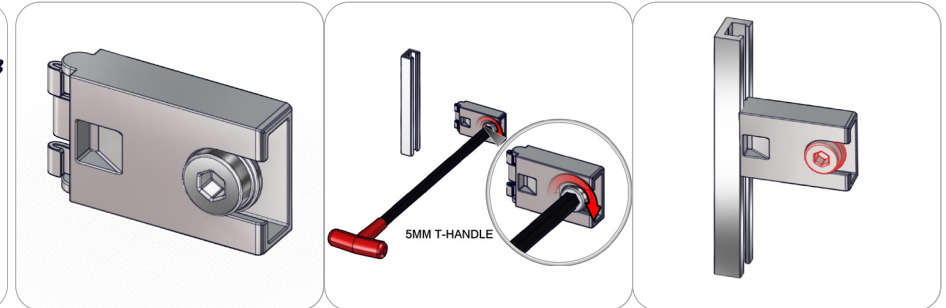
First, with the cam lock disengaged, place the cam lock teeth into the extrusion channel. Second, use the allen key tool to lock it in place. Make half turns clock-wise to engage the cam lock. Do not over tighten the lock buttons.

Connection Method 3: CB10-R / PHFC2



First, press and hold the snap button while you slide it into the tube. The snap button connection is secure when it protrudes through the tube hole. Second, using the allen key tool, disengage the cam lock in the extrusion end and place its teeth into the CB10-R channel. Third, with the cam lock teeth in the channel, use the allen key tool to engage the cam lock. Make a half turn to lock, do not over tighten. Repeat for opposite end.

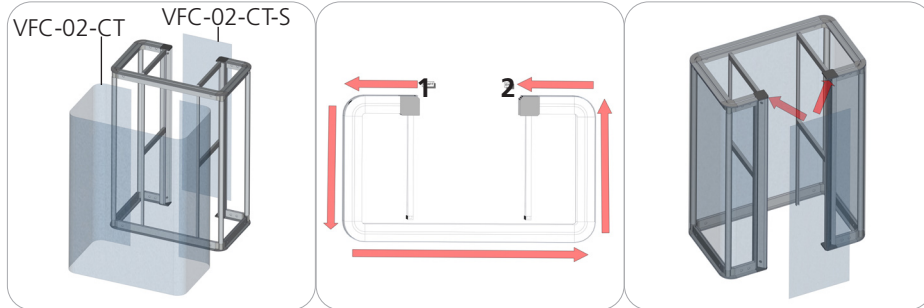
Connection Method 4: CAM LOCK / PE



First, with the cam lock disengaged, place the cam lock teeth into the extrusion channel. Second, use the allen key tool to lock it in place. Make half turns clock-wise to engage the cam lock. Do not over tighten the lock buttons.

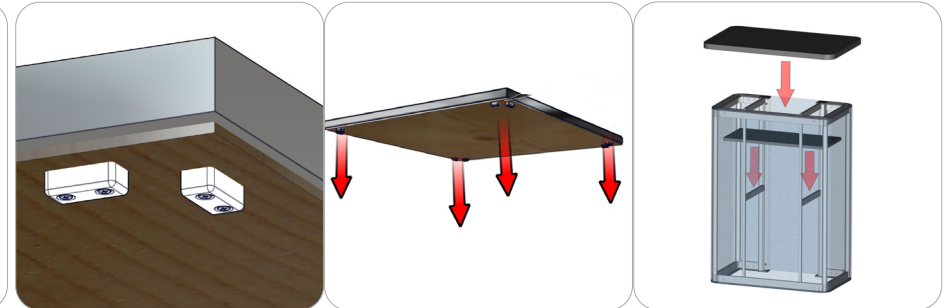
Connection Methods

Connection Method 5: Silicon Edge (SEG)



First, at START point 1, start pressing VFC-04-A-G fabric SEG from top to bottom of the counter fabric channels. Second, work the SEG across the rest of the top and bottom counter fabric channels to END point 2. At END point 2, start pressing the fabric SEG from top to bottom of the counter fabric channel. Third, apply VFC-04-B-G fabric SEG from top to bottom of the counter fabric channels.

Connection Method 6: Counter Top



Counter top is held into place by the blocks seen about.